

BASIC CUP HOLDERS WITH BUILT-IN SHUT-OFF VALVE

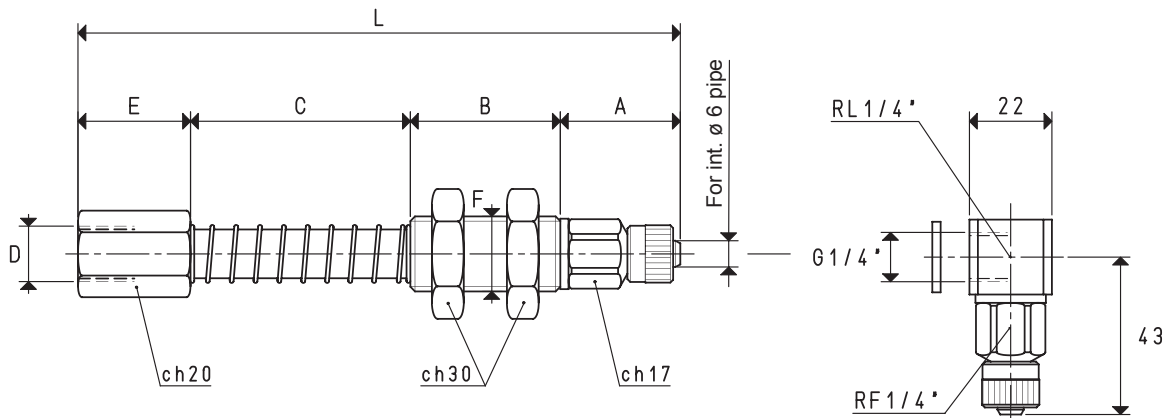
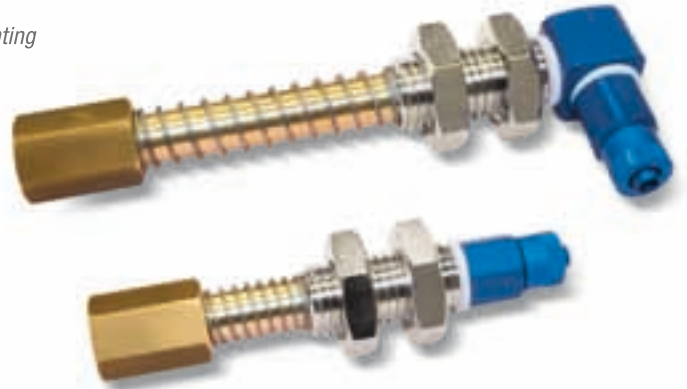
Along with all the other features they share with the other basic cup holders, these have a built-in shut-off valve.

The purpose of the shut-off valve is to automatically close suction when the cup is not in contact with the surface of the load to be handled or in case of a faulty grip or of considerable transpiration, thus preventing the reduction of the vacuum level on the remaining cups of the system which are regularly handling the load.

The clear advantage of this system is that the positioning or the exclusion of the non-gripping cups are no longer binding. Cups with diameters ranging from 35 mm to 85 mm can be assembled onto these cup holders, as long as they are provided with a threaded 1/4" gas male support.

The actual springing stroke is:

- For height C= 28 mm 16 mm
- For height C= 65 mm 49 mm
- For height C= 95 mm 74 mm



VERSION 02 99 ...

VERSION 02 99 ... L

3D drawings available at www.vuototecnica.net

CUP HOLDERS WITH STRAIGHT QUICK COUPLER FOR PLASTIC HOSE Ø 6 X 8

Art.	A	B	C	D	E	F	L	Weight
				Ø		Ø		g
02 99 28	32	40	28	G1/4"	30	M20	130	256
02 99 65	32	40	65	G1/4"	30	M20	167	301
02 99 95	32	40	95	G1/4"	30	M20	197	333

Note: Add the letter L to the code to order L-type fittings.