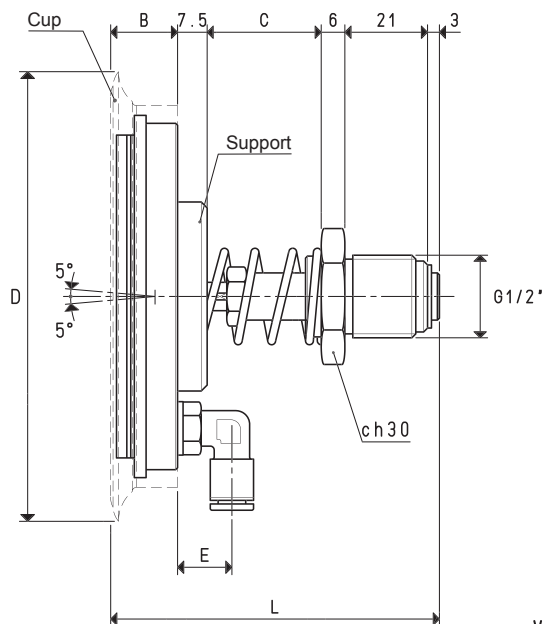
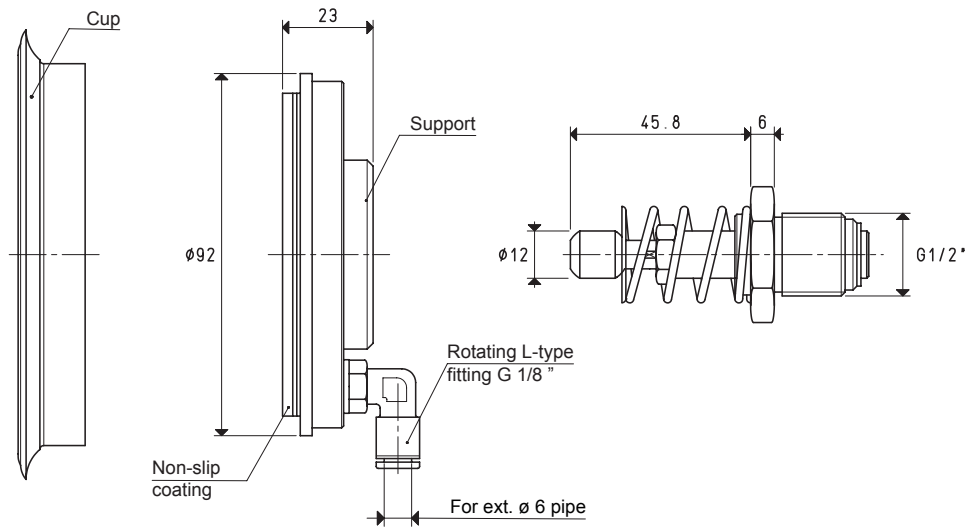


## SPECIAL ARTICULATED CUP HOLDERS WITH COMPACT STROKE



Marble and glass sheets are usually handled with cups that take them from a horizontal plane and place them vertically or vice versa. These special cup holders with compact stroke have been designed to minimise the lever forces between the cup and the machine fixing bush during the rotation of the sheets, as well as their sliding on the cups. They share all the technical features of the other special cup holders but their overall dimensions are reduced to the minimum, by housing the articulated joint in the cup support, thus reducing the steel stem and the spring stroke length and modifying the brass bush, in order to allow it to be screwed directly onto the machine. Moreover, a special non-slip plastic coating fixed onto the cup support prevents the lifted load from slipping.

2



VERSION 06 110 42

CUP HOLDERS WITH L-TYPE QUICK COUPLER FOR PLASTIC HOSE  $\varnothing$  4 X 6

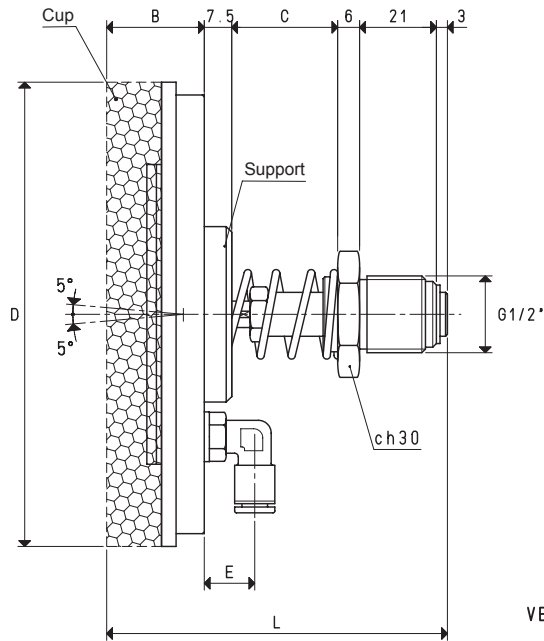
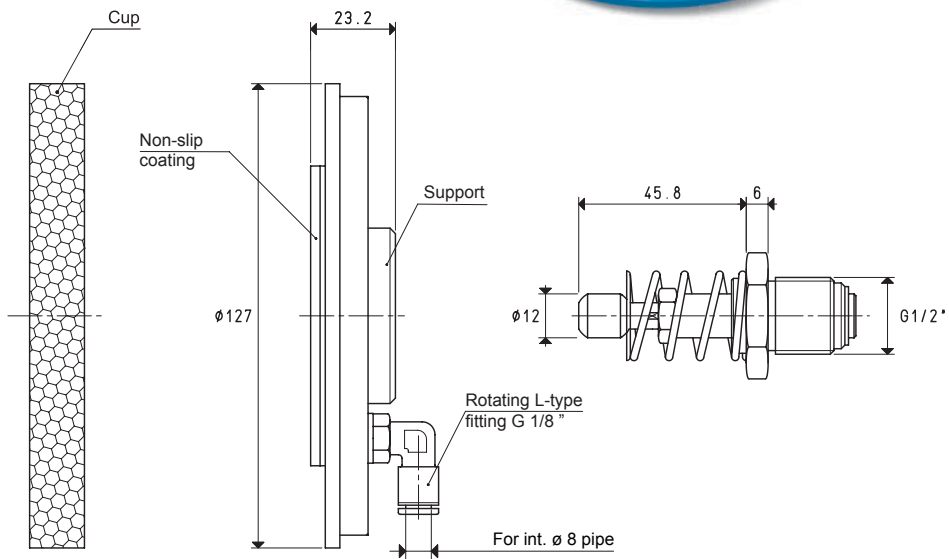
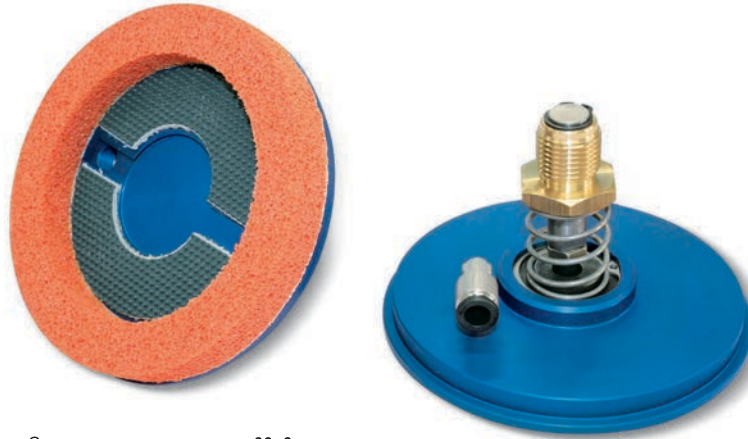
Art.	Force Kg	B	C	D	E $\varnothing$	L	Cup art.	Support included art.	Weight Kg
06 110 42	23.74	17	29	114	13	83.5	01 110 10 M	00 06 59	0.49

**Note:** Cups are not an integral part of the cup holders, therefore, they must be ordered separately.

Conversion ratio: inch =  $\frac{\text{mm}}{25.4}$ ; pounds =  $\frac{\text{g}}{453.6}$  =  $\frac{\text{Kg}}{0.4536}$

2.139

# SPECIAL ARTICULATED CUP HOLDERS WITH COMPACT STROKE



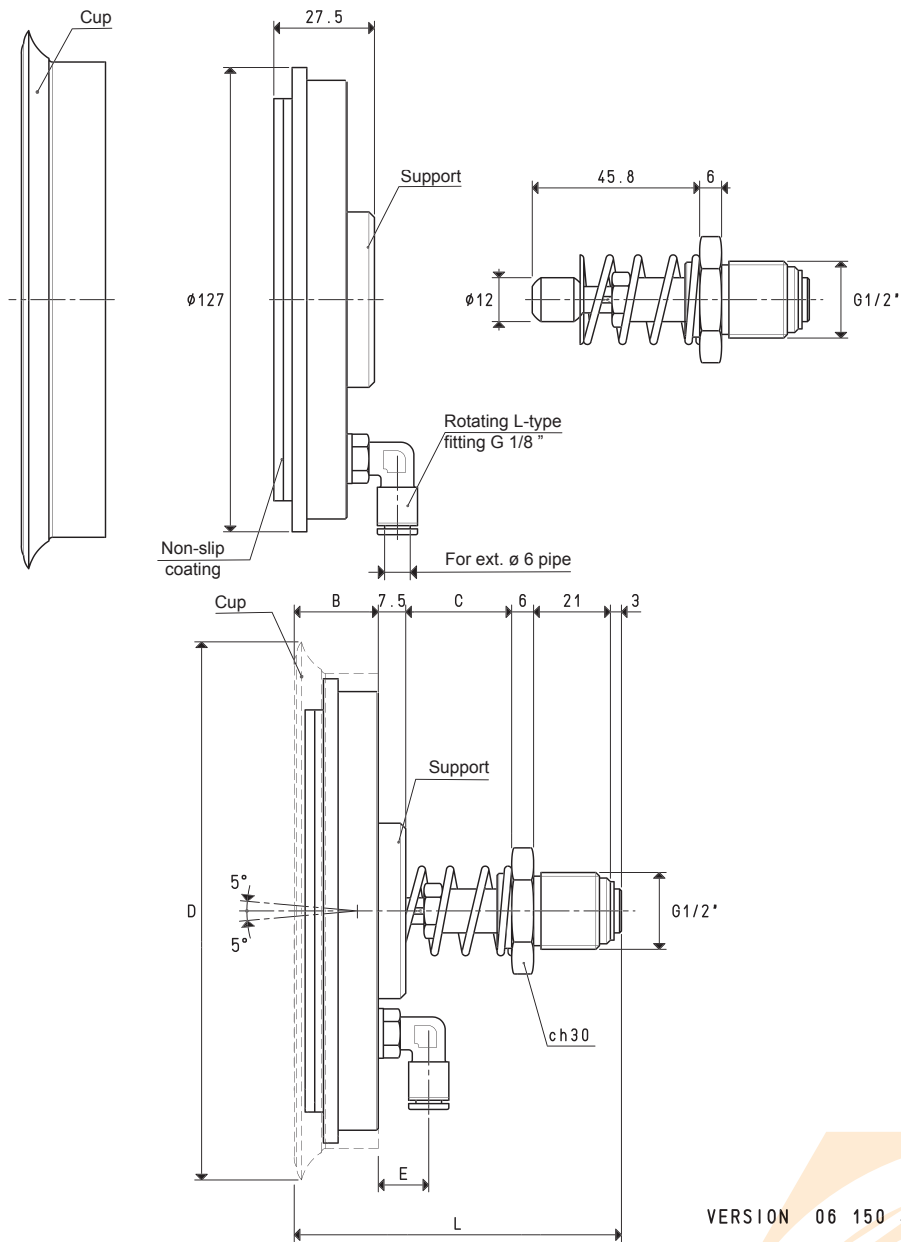
VERSION 06 127 42

## CUP HOLDERS WITH L-TYPE QUICK COUPLER FOR PLASTIC HOSE Ø 6 X 8

Art.	Force Kg	B	C	D	E Ø	L	Cup art.	Support included art.	Weight Kg
06 127 42	17.50	26.7	29	127	13.5	93.2	01 127 15	00 06 61	0.76

**Note:** Cups are not an integral part of the cup holders, therefore, they must be ordered separately.

# SPECIAL ARTICULATED CUP HOLDERS WITH COMPACT STROKE



VERSION 06 150 42

## CUP HOLDERS WITH STRAIGHT QUICK COUPLER FOR PLASTIC HOSE Ø 4 X 6

Art.	Force Kg	B	C	D	E	L	Cup art.	Support included art.	Weight Kg
06 150 42	45.00	23	29	154	13	89.5	01 150 10 M	00 06 60	0.94

**Note:** Cups are not an integral part of the cup holders, therefore, they must be ordered separately.

Conversion ratio: inch =  $\frac{mm}{25.4}$ ; pounds =  $\frac{g}{453.6}$  =  $\frac{Kg}{0.4536}$