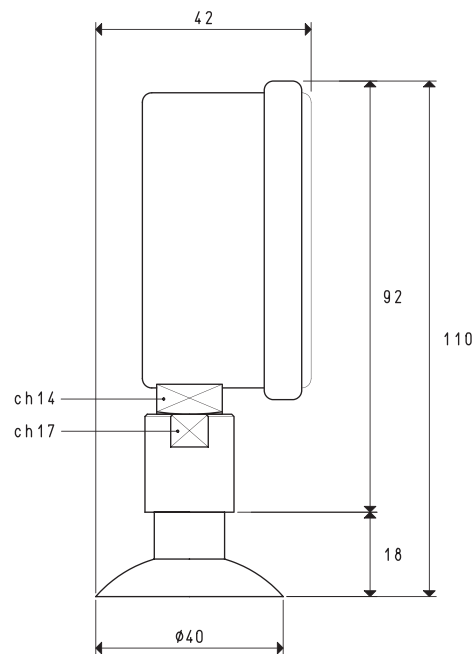
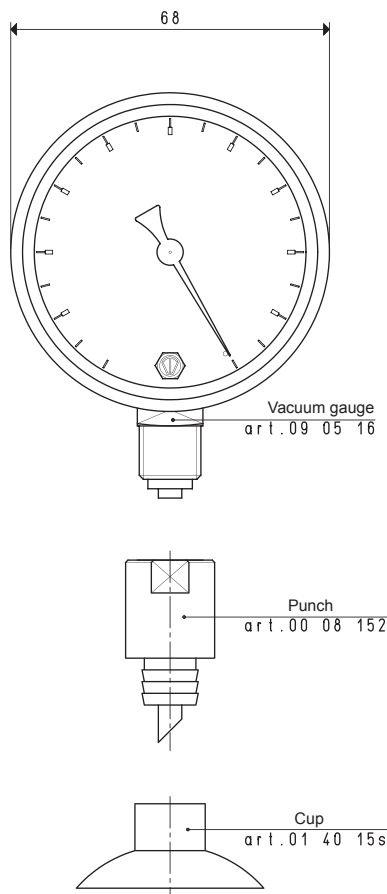


VACUUM GAUGE WITH STEEL PUNCH

This vacuum gauge has been designed to allow the immediate detection of the vacuum level inside tin cans and food containers in general.

The glycerine bath vacuum gauge art. 09 05 16 used for this application (features described in the previous page), is provided with a hardened steel punch to easily perforate the containers and with a vacuum cup in silicon compound to guarantee vacuum seal after perforation.

It is available in the standard version (which is the one shown in this page), but can be provided in other versions upon request.



Art.	Scale mbar	Double Scale KPa	Scale error allowed	Operating temperature	Notes	Weight g
09 05 99	0 ÷ -1000	0 ÷ -100	1.6%	-10 °C ÷ +50 °C	glycerine bath	250

Conversion ratio: inch = $\frac{\text{mm}}{25.4}$; pounds = $\frac{\text{g}}{453.6}$ = $\frac{\text{Kg}}{0.4536}$