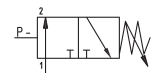
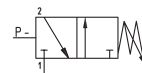
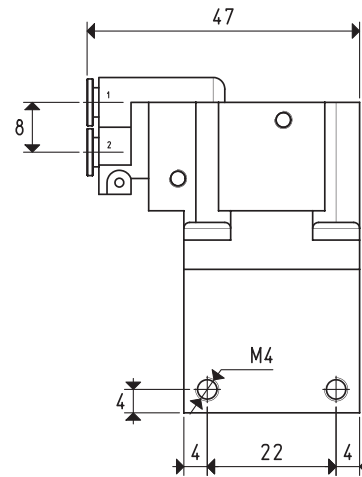
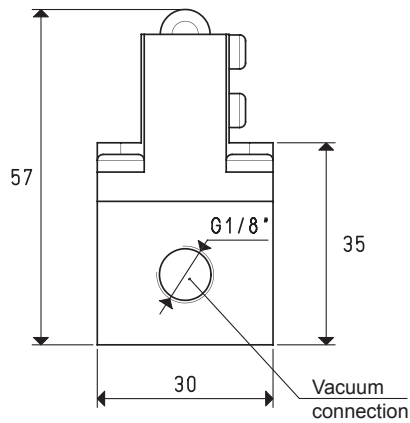
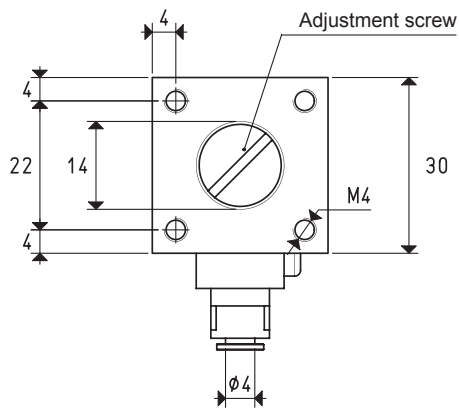


MINI PNEUMATIC VACUUM SWITCH

These vacuum switches feature reduced overall dimensions and, according to the model, they give or remove a pneumatic signal when a certain adjustable vacuum level is reached. The pressure differential between the set maximum value and the value of reset of the rest signal is not adjustable. They are particularly suited for controlling vacuum generators and for activating pneumatic valves.



Art.		12 01 30	12 02 30
Adjustment range	mbar abs.	930 ÷ 50	900 ÷ 40
Fixed differential	mbar	70	100
Repeatability	mbar	±5	±5
Idle signal		NC	NO
Supply pressure	bar (g)	2 ÷ 8	2 ÷ 8
Pneumatic microvalve	art.	00 12 17	00 12 18
Max. capacity of the 6 bar (g) microvalve	NI / s	1.2	1.2
Working temperature	°C	-10 ÷ +60	-10 ÷ +60
Weight	g	104	102