

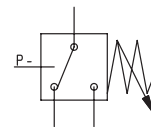
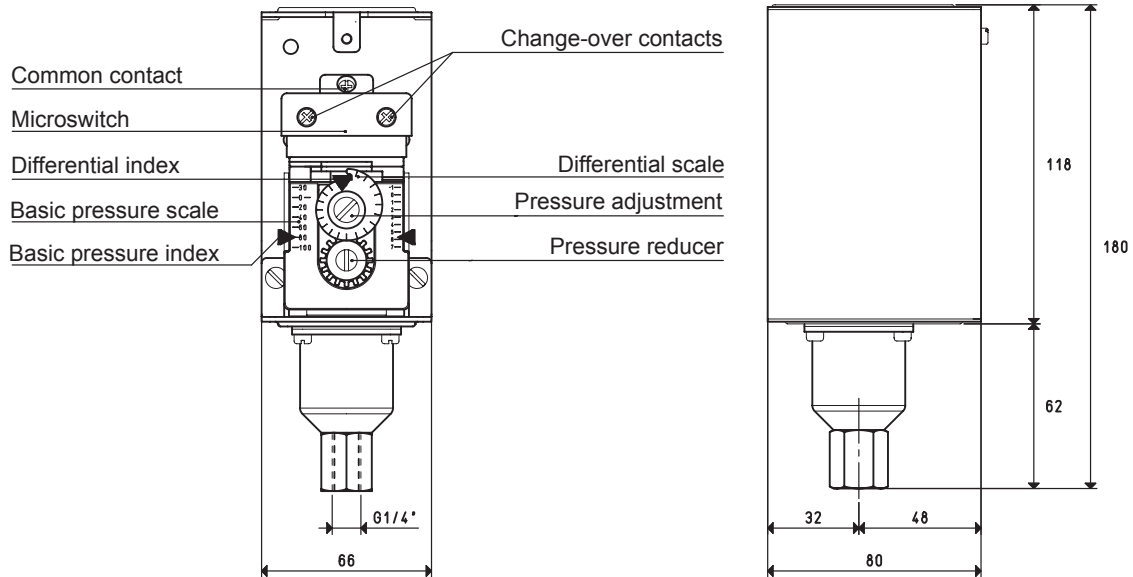
ELECTROMECHANICAL VACUUM - PRESSURE SWITCHES

The vacuum - pressure switches of the 836 series are compact, sturdy and accurate units that can be adapted to many applications. The feature of the control is a quick tripping precision microswitch, equipped with silver contacts. Normal industrial vibrations have no effect on the efficient opening and closing of the contacts.

The particular linear construction, relatively friction free, assures a precise and reliable operation independent of the pressure switch mounting angle.

The "Long Life" bellows with which they are equipped, are made of copper alloy and can be used for air, water, oil, liquid, vapour and gas circuits, provided that all these agents are not corrosive.

These devices are included in the U.L. lists and approved by C.S.A.



Art.		836 - C6A	836 - C2A
Adjustment range	bar abs.	0 ÷ 8	0 ÷ 1.7
Adjustable differential	mbar	from 133 to 1200	from 26 to 280
Max. line pressure	bar abs.	21	4.5
Repeatability	measuring range %	±0.5	±0.5
Contacts		one change-over	
Contact features		unipolar with double interruption	
		125 VA with ac from 24 to 600 Volts	
		57.5 VA with ac from 115 to 230 Volts	
		Rated current for non inductive loads	
Contact capacity	A	5 a 240 V in A.C.	
	A	3 a 600 V in A.C.	
Electrical connections		with terminals	
Working temperature	°C	-25 ÷ +70	
Protection		IP 54	
Weight	Kg	0.984	1.130

3D drawings available at www.vuototecnica.net