

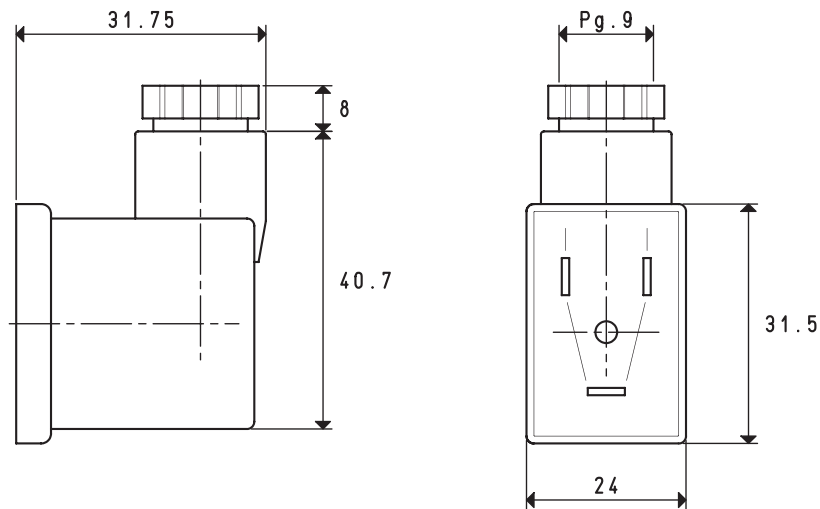
## SOLENOID VALVE ACCESSORIES AND SPARE PARTS



Connectors are fundamental for bringing electric current to the solenoid valve coils. They are available in the simple plug version installed as standard and, upon request, with LEDs to signal the presence of voltage, with anti-interference circuits, protection devices against overvoltage and polarity reversal. When correctly installed, all connectors provide full protection against water jets, according to EN 60529 standards (protection class IP 65). Moreover, they meet VDE 0110-1 /89 standards, working voltage up to 250 V, overvoltage category II, Degree of use 3, regarding insulation class.

In all contacts, a snap joint between contact holders and the external protection guarantees a safe locking and easy assembly. A safe locking is essential for guaranteeing the operator full protection when handling the connector.

The contact holder can be easily extracted from its casing simply using a screwdriver. This operation also allows orienting the earthing contact in the desired direction.

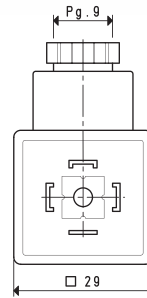
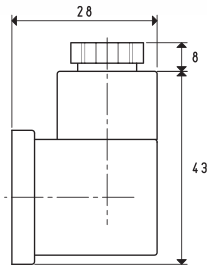


### COIL CONNECTORS

Art.	Contact nominal capacity		Conductor max. section mm <sup>2</sup>	Operating temperature °C	Ø cable mm	Weight g	Notes	Coil art.
	A							
<b>00 07 174</b>	10	max 16	1.5	-40 ÷ +90	6 ÷ 8	24	Standard	00 07 172
<b>00 07 260</b>	10	max 16	1.5	-40 ÷ +90	6 ÷ 8	24	with LED	00 07 173

Conversion ratio: inch =  $\frac{\text{mm}}{25.4}$ ; pounds =  $\frac{\text{g}}{453.6} = \frac{\text{Kg}}{0.4536}$

## SOLENOID VALVE ACCESSORIES AND SPARE PARTS



### COIL CONNECTORS

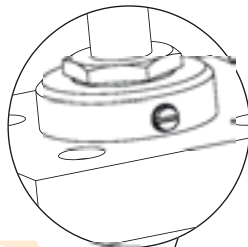
Art.	Contact nominal capacity		Conductor max. section	Operating temperature	Ø cable	Weight	Notes
	A		mm <sup>2</sup>	°C	mm	g	
<b>00 07 63</b>	10	max 16	1.5	-40 ÷ +90	6 ÷ 8	24	Standard
<b>00 07 101</b>	10	max 16	1.5	-40 ÷ +90	6 ÷ 8	24	with LED
<b>00 07 186</b>	10	max 16	1.5	-40 ÷ +90	6 ÷ 8	24	with LED and filtre
<b>Coil art.</b>							
00 07 03 - 00 07 04 - 00 07 05 - 00 07 06 - 00 07 215 - 00 07 216 - 00 07 217 - 00 07 218 - 00 07 219							
00 07 256 - 00 07 257 - 00 07 258 - 00 07 259							

## SM DEVICE FOR MANUALLY OPENING AND CLOSING THE SOLENOID VALVES

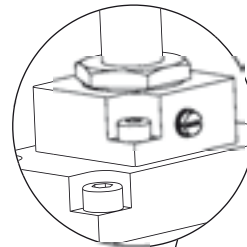
*This small cam, which can be activated by a screwdriver, acts on the mobile core of the actuators causing their commutation.*

*This device is installed, upon request, on compressed-air pilot-operated 3-way solenoid valves art. 07 .. 11 or vacuum solenoid valves art. 07 .. 40, to allow their opening and closing in absence of electricity.*

*To order it, all you have to do is add the letters SM to the article of the solenoid valve.*



SM device installation on solenoid valve art. 07 .. 40



SM device installation on solenoid valve art. 07 .. 11