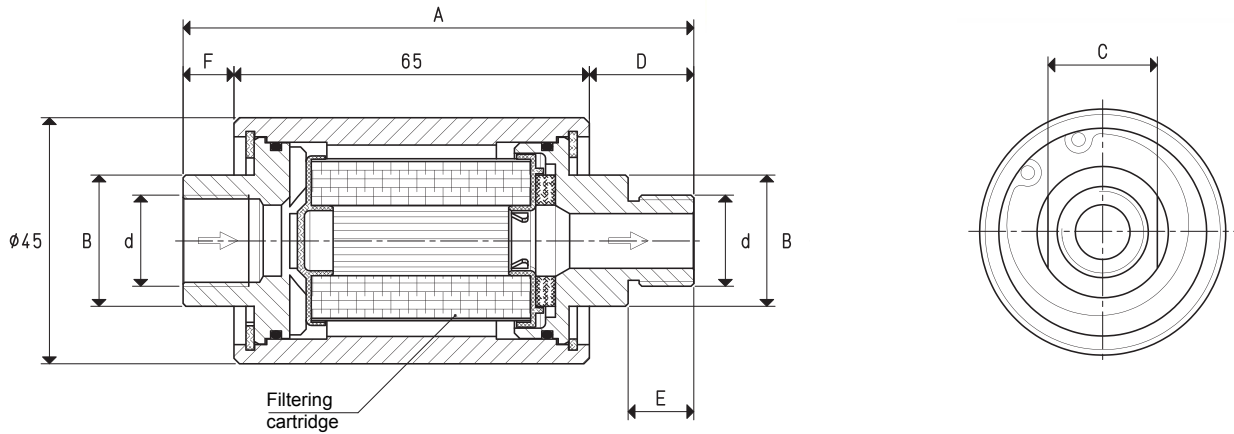


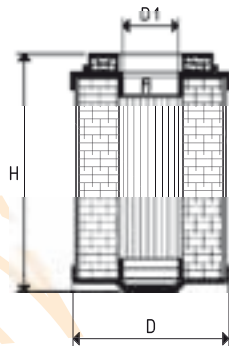
# FCL IN-LINE SUCTION FILTERS WITH PAPER CARTRIDGE



Art.	d	A	B	C	D	E	F	Max capacity	Spare cartridge art.	Spare sealing kit art.	Weight
	∅		∅					cum/h			g
<b>FCL 1 MF</b>	G1/4"	91.2	20.0	17	19.1	12	7.1	7.5	00 FCL 03	00 KIT FCL 1	120
<b>FCL 2 MF</b>	G3/8"	93.4	24.0	20	19.1	12	9.3	20	00 FCL 03	00 KIT FCL 1	136
<b>FCL 3 MF</b>	G1/2"	101.6	26.5	24	24.3	15	12.3	25	00 FCL 03	00 KIT FCL 1	152

## PAPER FILTERING CARTRIDGES FOR FCL FILTERS

The cartridges described below are suited for FCL filters. They are made with a special treated paper with a filtering degree equal to 7 μ, which is pleated in order to increase its surface and wrapped on two flanges in plastic material. They are recommended for retaining impurities and fine dust, but not in presence of water or oil vapours or condensations.



Art.	Filtre art.	D	D1	H	Filtering degree
		∅	∅		micron
<b>00 FCL 03</b>	FCL 1 - FCL 2 - FCL 3 FCL 1 M - FCL 2 M - FCL 3 M FCL 1 MF - FCL 2 MF - FCL 3 MF	31	10	47	5 ÷ 7

3D drawings available at [www.vuototecnica.net](http://www.vuototecnica.net)