

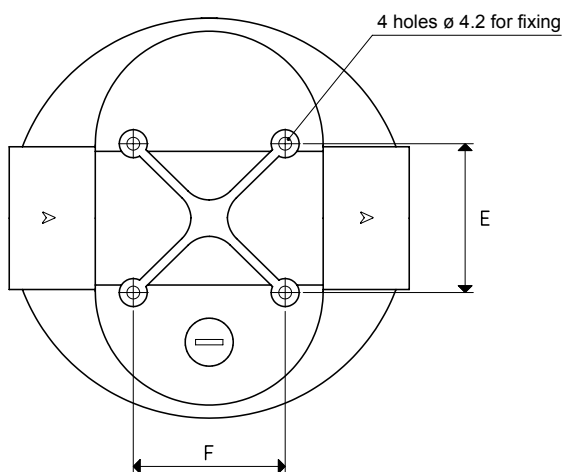
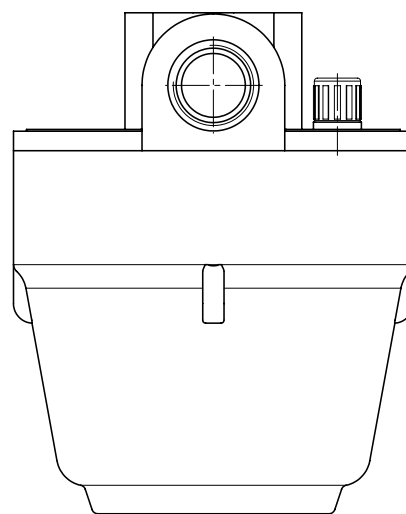
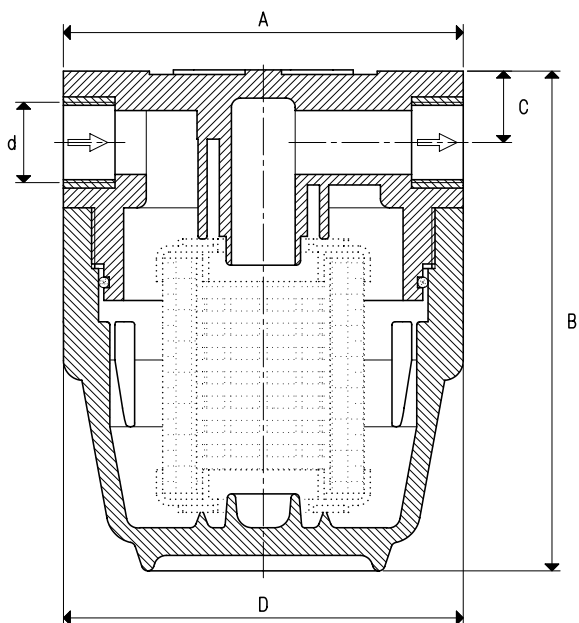
## FP SERIES FILTERING CARTRIDGE CONTAINERS WITH COMPRESSION SEALING

The containers of the FP series are suited for the filtering cartridges with compression sealing and are composed of a transparent plastic container and a blue plastic head screwed together with an interposed seal. The number after the article indicates the length in inches of the filtering cartridge.

The cartridge can be chosen in various materials: pleated paper, pleated polypropylene mesh and stainless steel mesh AISI 304. In the following page are described the filtering cartridges with compression sealing, with all the indications regarding dimensions, materials and filtering degree of each one of them.

### Technical features

Working pressure: from 0.5 to 9000 mbar abs.  
Temperature of the sucked fluid: from -10 to 45 °C



Art.	d Ø	A	B	C	D Ø	E	F	Max capacity cum/h	Cartridge length	Cartridge art.	Weight Kg
FP 25/4	G3/4"	130	163	21	130	49	50	70	4"	SP/4 - SS/4 - SA/4	0.84
FP 30/4	G1"	143	169	24	130	50	51	100	4"	SP/4 - SS/4 - SA/4	0.91
NP	Key for clamping the container										

**Note:** The filtering cartridge is not part of the filtre, therefore, it must be ordered separately.

Conversion ratio: inch =  $\frac{\text{mm}}{25.4}$ ; pounds =  $\frac{\text{g}}{453.6} = \frac{\text{Kg}}{0.4536}$

GAS-NPT thread adapters available at page 1.117