

## FM SERIES QUICK COUPLING FILTERING CARTRIDGE CONTAINERS

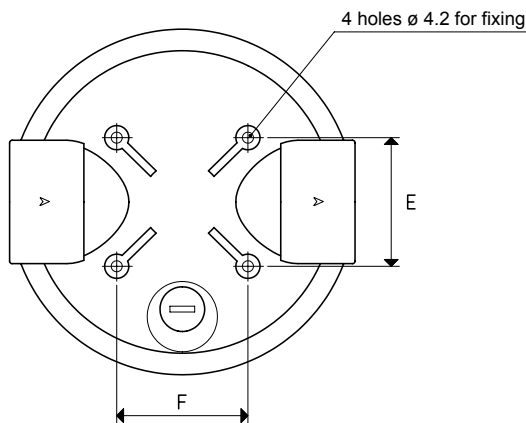
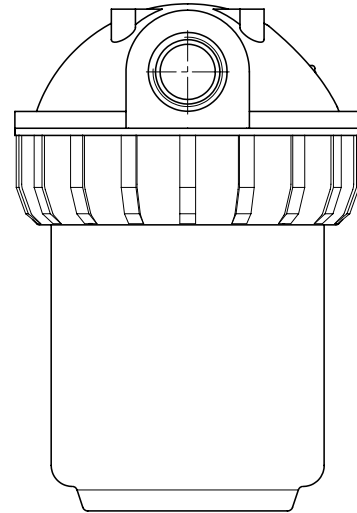
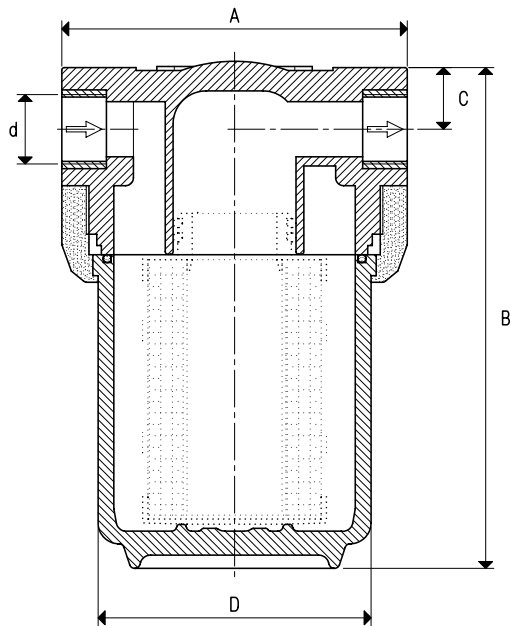
The containers of the FM series are suited for quick coupling filtering cartridges and are composed of a transparent SAN (Styrene-acrylic nitrile) container and a head with a reinforced polypropylene ring nut, coupled together with an interposed seal.

The number after the article indicates the length in inches of the filtering cartridge.

The cartridge can be chosen in various materials: pleated paper, pleated polypropylene mesh and AISI 304 stainless steel mesh. The quick coupling filtering cartridges are described at page 5.27, with all the indications regarding dimensions, materials and filtering degree of each one of them.

**Technical features**

Working pressure: from 0.5 to 9000 mbar abs.  
Temperature of the sucked fluid: from -10 to 45 °C



Art.	d Ø	A	B	C	D Ø	E	F	Max capacity cum/h	Cartridge length	Cartridge art.	Weight Kg
<b>FM 20/7</b>	G1/2"	133	241	18	100	48	49	30	7"	RP/7 - RS/7 - RA/7	0.75
<b>FM 25/7</b>	G3/4"	133	241	21	100	49	50	70	7"	RP/7 - RS/7 - RA/7	0.87
<b>FM 30/7</b>	G1"	145	247	24	100	50	51	100	7"	RP/7 - RS/7 - RA/7	0.99
<b>FM 25/10</b>	G3/4"	133	315	21	100	49	50	70	10"	RP/10 - RS/10 - RA/10	1.05
<b>FM 30/10</b>	G1"	145	321	24	100	50	51	100	10"	RP/10 - RS/10 - RA/10	1.17
<b>NF</b>	Key for tightening the ring nut										

**Note:** The filtering cartridge is not part of the filtre, therefore, it must be ordered separately.

Conversion ratio: inch =  $\frac{\text{mm}}{25.4}$ ; pounds =  $\frac{\text{g}}{453.6} = \frac{\text{Kg}}{0.4536}$

GAS-NPT thread adapters available at page 1.117