

# FK SERIES QUICK COUPLING FILTERING CARTRIDGE CONTAINERS

The containers of the FK series are suited for quick coupling filtering cartridges and are composed of a transparent PET (Polyethylene terephthalate) container and a head with a brass ring nut coupled together with an interposed seal.

The number after the article indicates the length in inches of the filtering cartridge.

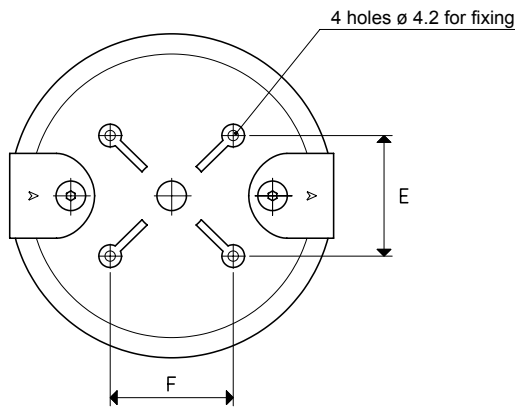
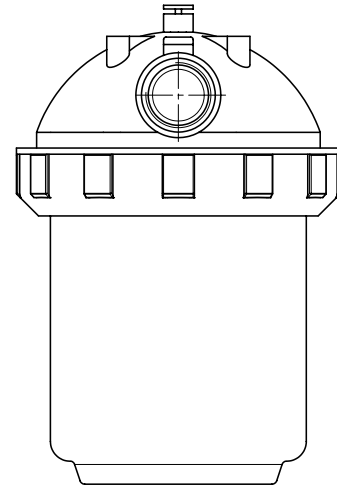
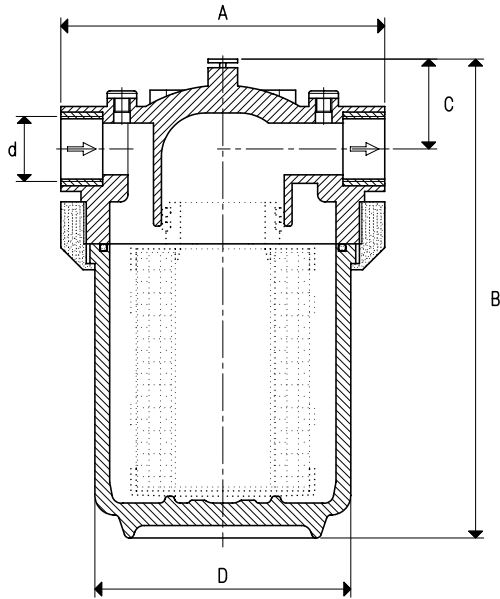
The cartridge can be chosen in various materials:

pleated paper, pleated polypropylene mesh and AISI 304 stainless steel mesh. The quick coupling filtering cartridges are described at page 5.27, with all the indications regarding dimensions, materials and filtering degree of each one of them.

### Technical features

Working pressure: from 0.5 to 9000 mbar abs.

Temperature of the sucked fluid: from -10 to 45 °C



3D drawings available at [www.vuototecnica.net](http://www.vuototecnica.net)

Art.	d Ø	A	B	C	D Ø	E	F	Max capacity cum/h	Cartridge length	Cartridge art.	Weight Kg
<b>FK 25/7</b>	G3/4"	125	226	24	100	49	50	70	7"	RP/7 - RS/7 - RA/7	1.64
<b>FK 30/7</b>	G1"	130	232	27	100	50	51	100	7"	RP/7 - RS/7 - RA/7	1.88
<b>FK 25/10</b>	G3/4"	125	300	24	100	49	50	70	10"	RP/10 - RS/10 - RA/10	2.12
<b>FK 30/10</b>	G1"	130	306	27	100	50	51	100	10"	RP/10 - RS/10 - RA/10	2.35
<b>FK 50/10</b>	G1" 1/2	140	319	30	100	51	52	200	10"	RP/10 - RS/10 - RA/10	2.58
<b>FK 60/10</b>	G2"	140	336	33	100	52	53	300	10"	RP/10 - RS/10 - RA/10	2.69
<b>FK 30/20</b>	G1"	130	564	27	100	50	51	100	20"	RP/20 - RS/20 - RA/20	2.97
<b>FK 50/20</b>	G1" 1/2	140	576	30	100	51	52	200	20"	RP/20 - RS/20 - RA/20	3.20
<b>FK 60/20</b>	G2"	140	593	33	100	52	53	300	20"	RP/20 - RS/20 - RA/20	3.31
<b>NK</b>	Key for tightening the ring nut										

**Note:** The filtering cartridge is not part of the filter, therefore, it must be ordered separately.