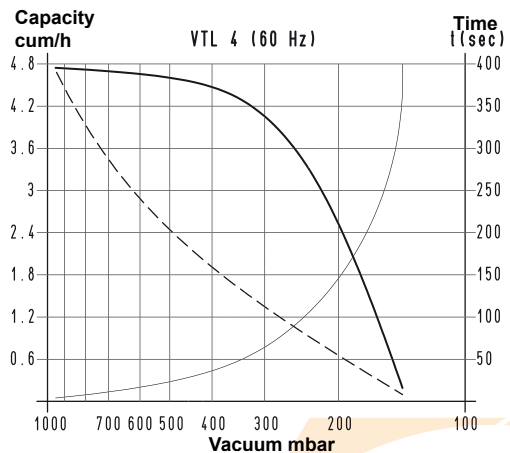
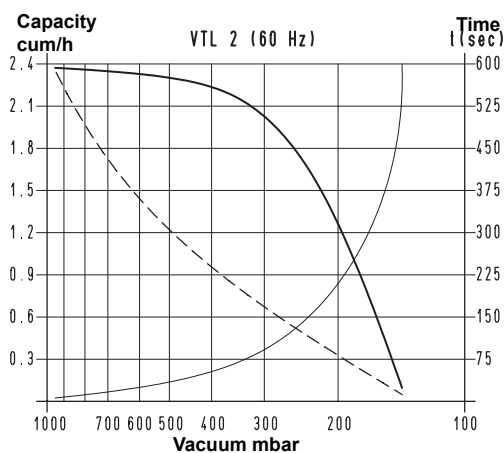
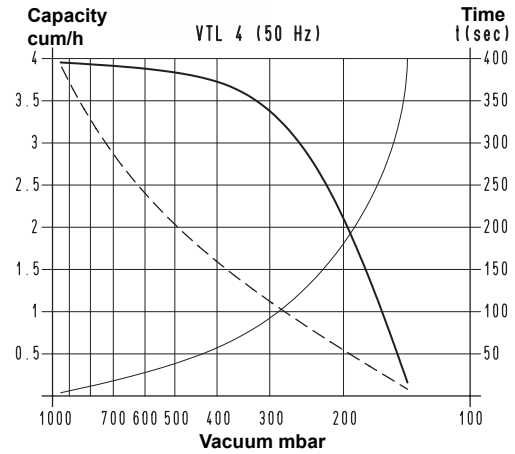
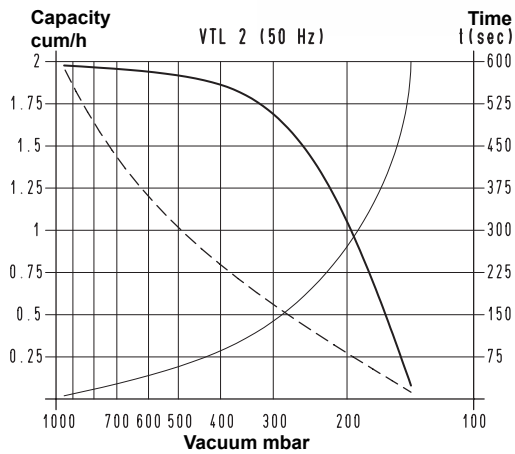


## VACUUM PUMPS VTL 2 and 4

These small vacuum pumps have a suction capacity of 2 and 4 cum/h. They feature a wick lubrication with oil recirculation, while the rotor, which is cantilevered-fitted on the motor shaft, allows reducing the overall dimensions to the minimum.

The motor and the pump are cooled by the motor fan (surface cooling). The pumps are equipped with a small tank in line with the pump, which contains the lubrication oil as well as a separator filter to prevent oil mists and to reduce noise. We strongly recommend installing a check valve and a filter on the suction inlet. Pumps VTL 2 and 4 can also be supplied with single-phase electric motor.

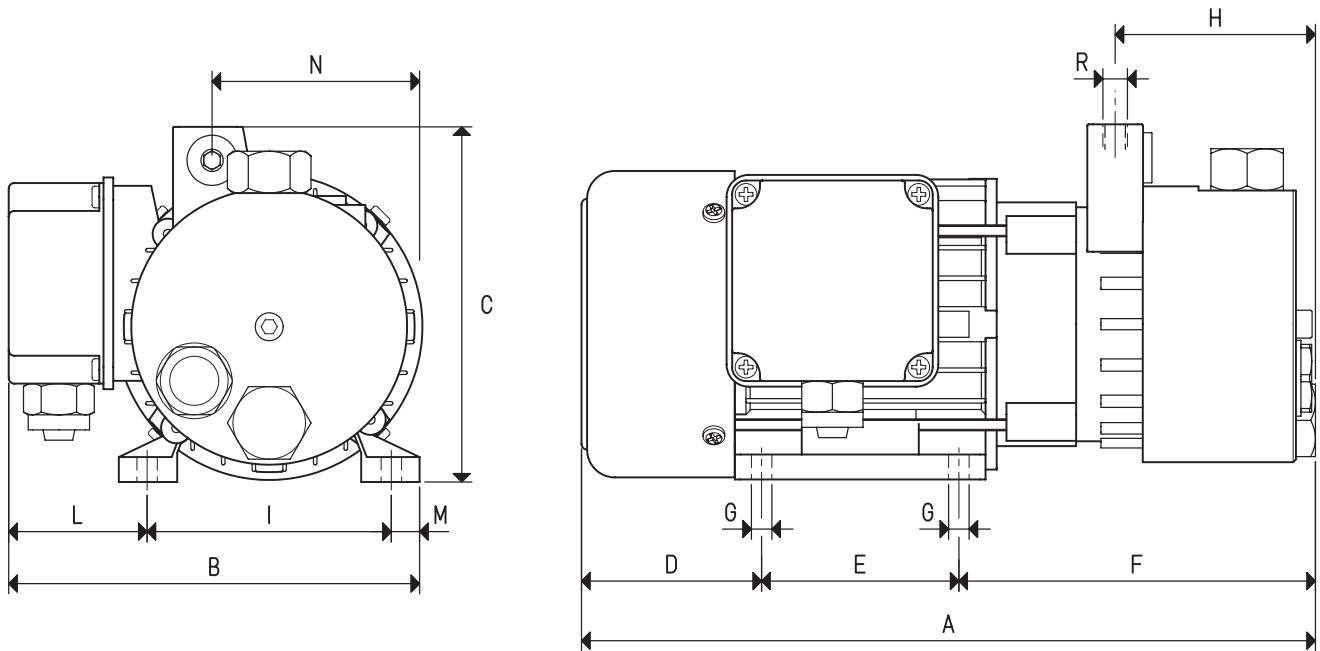


To calculate the emptying time of a volume  $V_1$ , apply the formula  $t_1 = \frac{t \times V_1}{100}$

- Curve regarding capacity (referring to the suction pressure)
- - - Curve regarding capacity (referring to a 1013 mbar pressure)
- Curve regarding the emptying of a 100-litre volume

- $V_1$  : Volume to be emptied
- $t_1$  : Time to be calculated (sec)
- $t$  : Time obtained in the table (sec)

# VACUUM PUMPS VTL 2 and 4



Art.	VTL 2		VTL 4	
	50Hz	60Hz	50Hz	60Hz
<b>Frequency</b>	50Hz	60Hz	50Hz	60Hz
<b>Capacity</b> m <sup>3</sup> /h	2.0	2.4	4.0	4.8
<b>Final pressure</b> mbar abs.	150		150	
<b>Motor execution</b>	230/400±10%	275/480±10%	230/400±10%	275/480±10%
<b>Volt</b>	230±10%		230±10%	
<b>Motor power</b>	0.13	0.15	0.18	0.21
<b>Kw</b>	0.13	0.15	0.15	0.18
<b>Motor protection</b>	54		54	
<b>Rotation speed</b> rev/min <sup>-1</sup>	2800	3300	2800	3300
<b>Motor shape</b>	Special		Special	
<b>Motor size</b>	56		63	
<b>Noise level</b> dB(A)	62	65	62	65
<b>Max. weight</b>	5.7		7.3	
<b>Kg</b>	6.0		7.5	
<b>A</b>	260		285	
<b>B</b>	145		160	
<b>C</b>	126		132	
<b>D</b>	62		66	
<b>E</b>	71		80	
<b>F</b>	127		139	
<b>G</b>	6.5		7.5	
<b>H</b>	72		80	
<b>I</b>	90		100	
<b>L</b>	43		48	
<b>M</b>	12		12	
<b>N</b>	76		86	
<b>R</b>	G1/4"		G3/8"	
<b>Accessories and spare parts</b>				
<b>Oil load</b> l	0.05		0.05	
<b>Synthetic oil</b> VT OIL	ISO 32		ISO 32	
<b>4 vanes</b> art.	00 VTL 02 10		00 VTL 04 10	
<b>Sealing kit</b> art.	00 KIT VTL 02		00 KIT VTL 04	
<b>Check valve</b> art.	10 01 15		10 02 15	
<b>Suction filtre</b> art.	FB 5		FB 10/FC 10	

**Note:** The pump will be supplied with single-phase electric motor by adding the letter M to the article (E.g.: VTL 2 M).

3D drawings available at [www.vuototecnica.net](http://www.vuototecnica.net)