

DRY VACUUM PUMPS VTS 6 DC WITH DC MOTOR

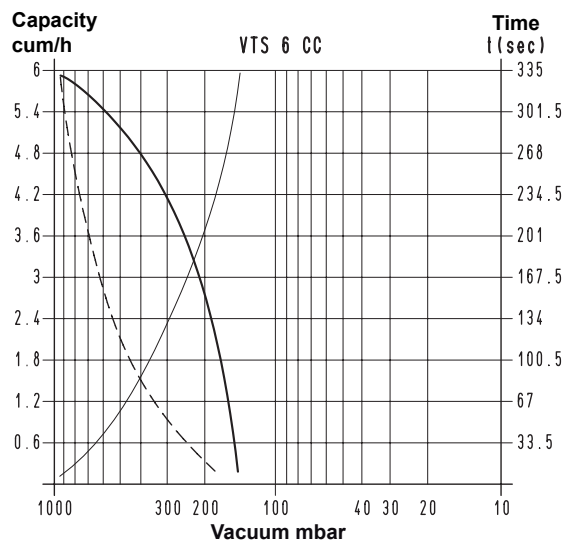
The extremely reduced size, the excellent final vacuum level that can be reached, the total absence of lubrication and the DC motor with which it is equipped, are the main features of this rotating vane vacuum pump.

This pump has a monobloc structure with the rotor fitted directly on the motor shaft. Both the motor and the pump are cooled by the motor fan (surface cooling).

A filtre that functions as a silencer is installed on the suction inlet.

We strongly recommend installing a filtre on the suction inlet against possible impurities. These pumps are **not** recommended when the fluid to be sucked contains water or oil vapours or condensations.

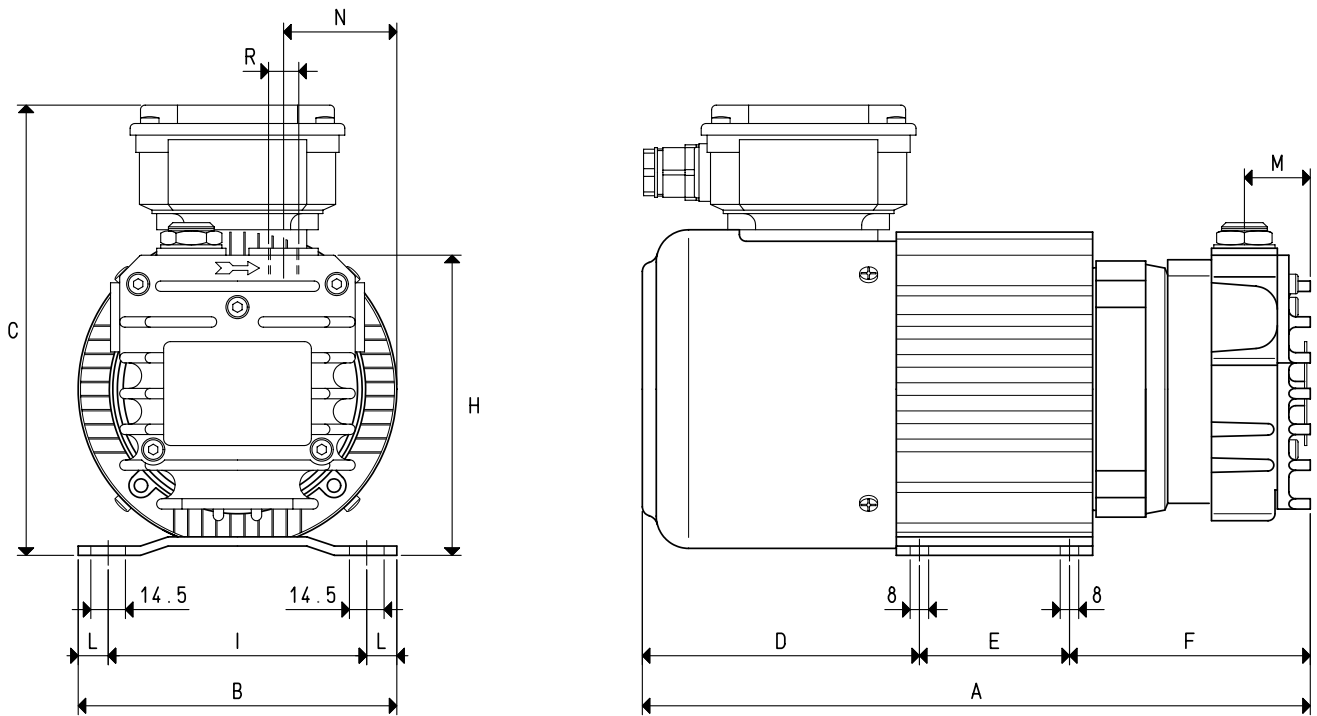
Pumps VTS 6 DC can only be supplied with DC motor (service S1) conform with the EMC (89/336/EEC) Directive.



To calculate the emptying time of a volume V_1 , apply the formula $t_1 = \frac{t \times V_1}{100}$

- Curve regarding capacity (referring to the suction pressure)
- - - Curve regarding capacity (referring to a 1013 mbar pressure)
- · · Curve regarding the emptying of a 100-litre volume

- V_1 : Volume to be emptied
- t_1 : Time to be calculated (sec)
- t : Time obtained in the table (sec)



Art.	VTS 6 CC	
Capacity	m ³ /h	6.0
Final pressure	mbar abs.	150
Motor execution	Volt	24 CC
Motor power	Kw	0.28
Max. absorption at 24V/CC	A	15
Motor protection	IP	54
Rotation speed	rev/min ⁻¹	3000
Motor shape		Special
Motor size		71
Noise level	dB(A)	72
Max. weight	Kg	9.5
A		290
B		136
C		193
D		124
E		65
F		101
H		131
I		112
L		12
M		28
N		48
R	Ø gas	G1/4"
Accessories and spare parts		
4 vanes	art.	00 VTS 06 CC 10
Sealing kit	art.	00 KIT VTS 06 CC
Check valve	art.	10 01 15
Suction filtre	art.	FB 5

3D drawings available at www.vuototecnica.net