

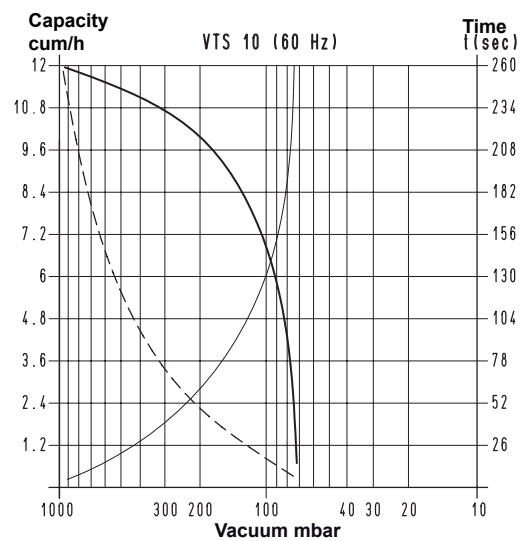
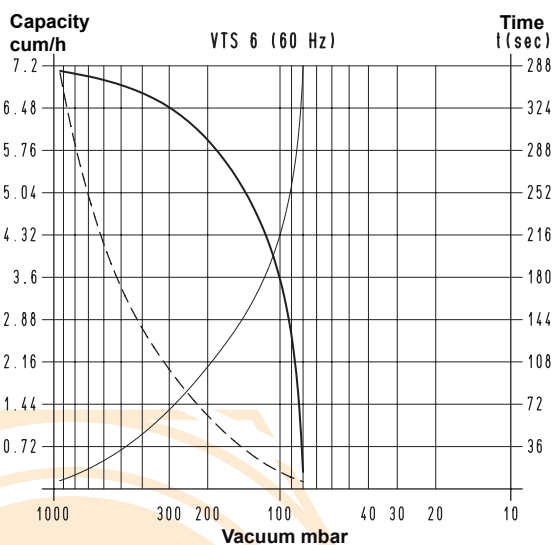
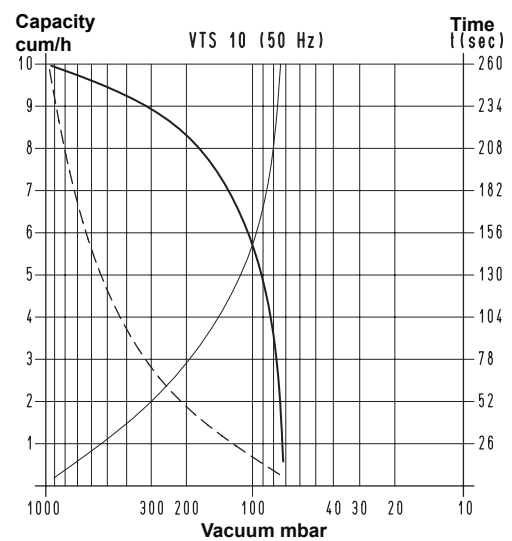
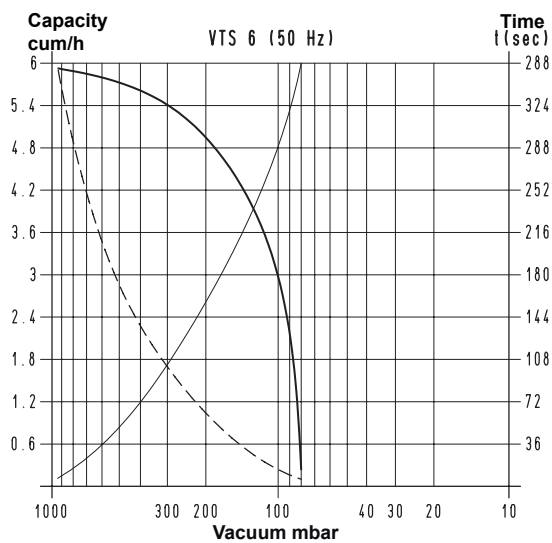
DRY VACUUM PUMPS VTS 6 and 10

These dry vacuum pumps have a suction capacity of 6 and 10 cum/h. The particular shape of the working chamber and the special graphite, with which the locking flanges and vanes are made, allow these pumps to operate without any lubrication.

The rotor is cantilevered-fitted on the motor shaft, thus reducing overall dimensions to the minimum. The motor and the pump are cooled by the motor fan (surface cooling). A filtre that functions as a silencer is installed on the suction inlet.

We strongly recommend installing a filtre on the suction inlet against possible impurities. These pumps are not recommended when the fluid to be sucked contains water or oil vapours or condensations.

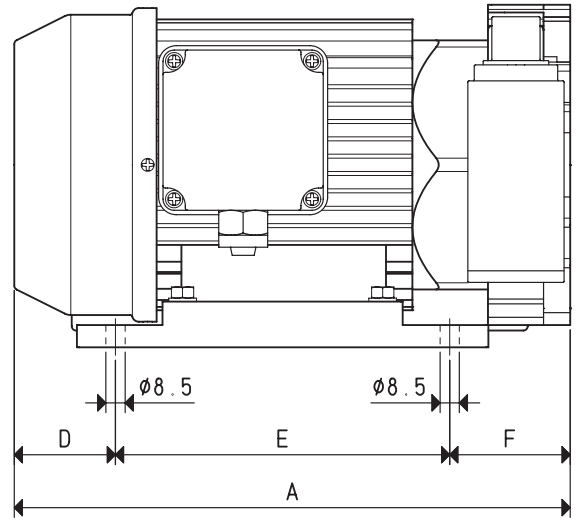
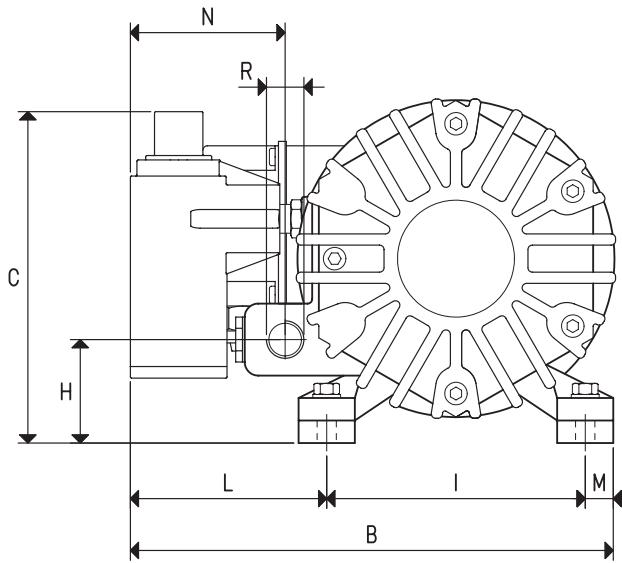
Pumps VTS 6 and 10 can also be supplied with single-phase electric motor.



To calculate the emptying time of a volume V_1 , apply the formula $t_1 = \frac{t \times V_1}{100}$

- Curve regarding capacity (referring to the suction pressure)
- - - Curve regarding capacity (referring to a 1013 bar pressure)
- Curve regarding the emptying of a 100-litre volume

- V_1 : Volume to be emptied
- t_1 : Time to be calculated (sec)
- t : Time obtained in the table (sec)



Art.	VTS 6		VTS 10	
	50Hz	60Hz	50Hz	60Hz
Frequency	50Hz	60Hz	50Hz	60Hz
Capacity	m ³ /h 6.0	7.2	10.0	12.0
Final pressure	80		80	
Motor execution	3~ 230/400±10%	275/480±10%	230/400±10%	275/480±10%
Volt	230±10%		230±10%	
Motor power	3~ 0.25	0.30	0.35	0.40
Kw	1~ 0.18	0.21	0.25	0.30
Motor protection	IP 54		IP 54	
Rotation speed	1450	1740	1450	1740
Motor shape	Special		Special	
Motor size	71		71	
Noise level	64	66	64	66
Max. weight	3~ 11.8		15.0	
Kg	1~ 12.0		15.2	
A	268		298	
B	210		180	
C	156		156	
D	55		55	
E	155		155	
F	58		88	
H	43		53	
I	115		115	
L	82.5		52.5	
M	12.5		12.5	
N	68		13	
R	Ø gas G1/4"		G3/8"	
Accessories and spare parts				
6 graphite vanes	art.	00 VTS 06 10	00 VTS 10 10	
Front graphite disc	art.	00 VTS 06 08	00 VTS 10 12	
Rear graphite disc	art.	00 VTS 06 13	00 VTS 10 19	
Sealing kit	art.	00 KIT VTS 06	00 KIT VTS 10	
Check valve	art.	10 01 15	10 02 10	
Suction filtre	art.	FB 5	FB 10/FC 10	

Note: The pump will be supplied with single-phase electric motor by adding the letter M to the article (E.g.: VTS 6 M).

Conversion ratio: inch = $\frac{\text{mm}}{25.4}$; pounds = $\frac{\text{g}}{453.6} = \frac{\text{Kg}}{0.4536}$ cfm= cum/h x 0.588; inch Hg= mbar x 0.0295; psi= bar (g) x 14.6