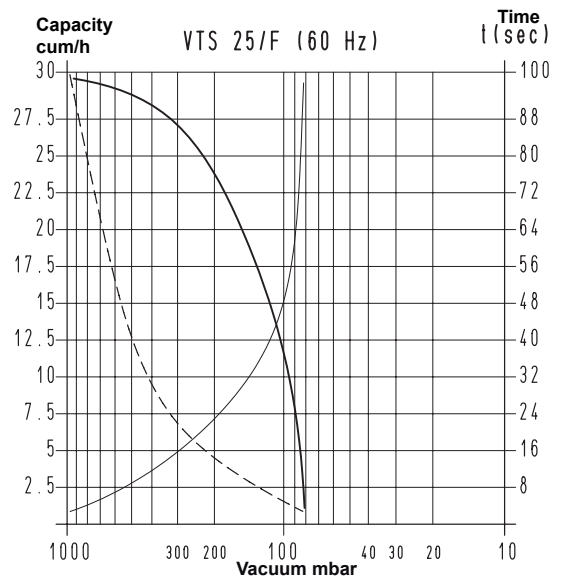
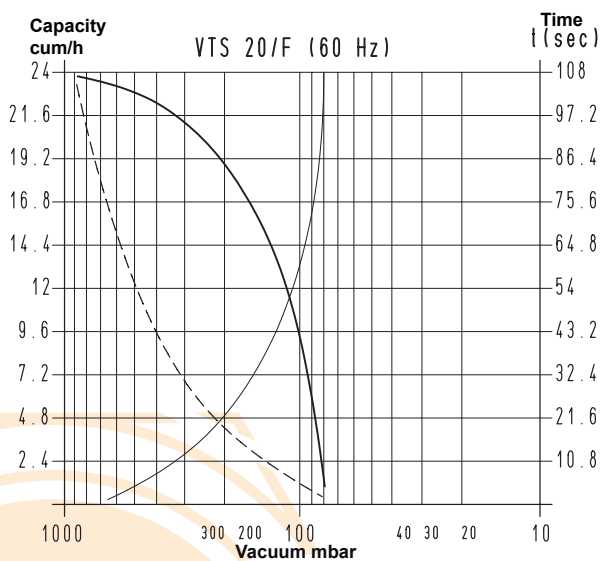
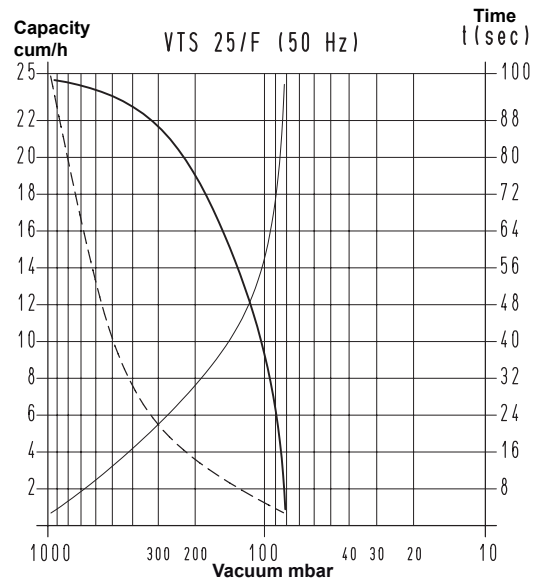
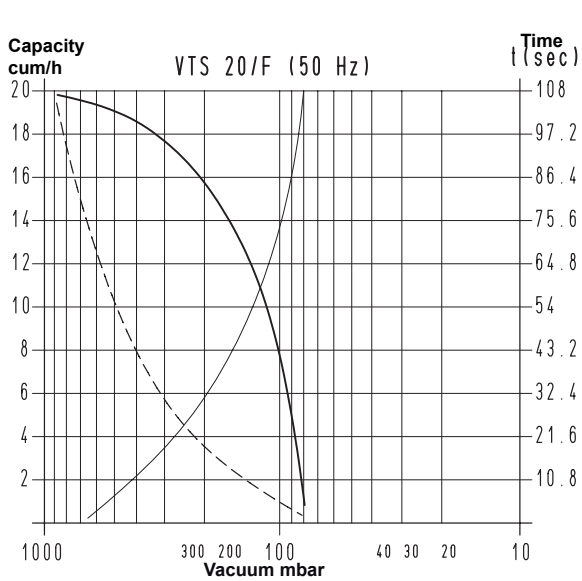


DRY VACUUM PUMPS VTS 20/F and 25/F

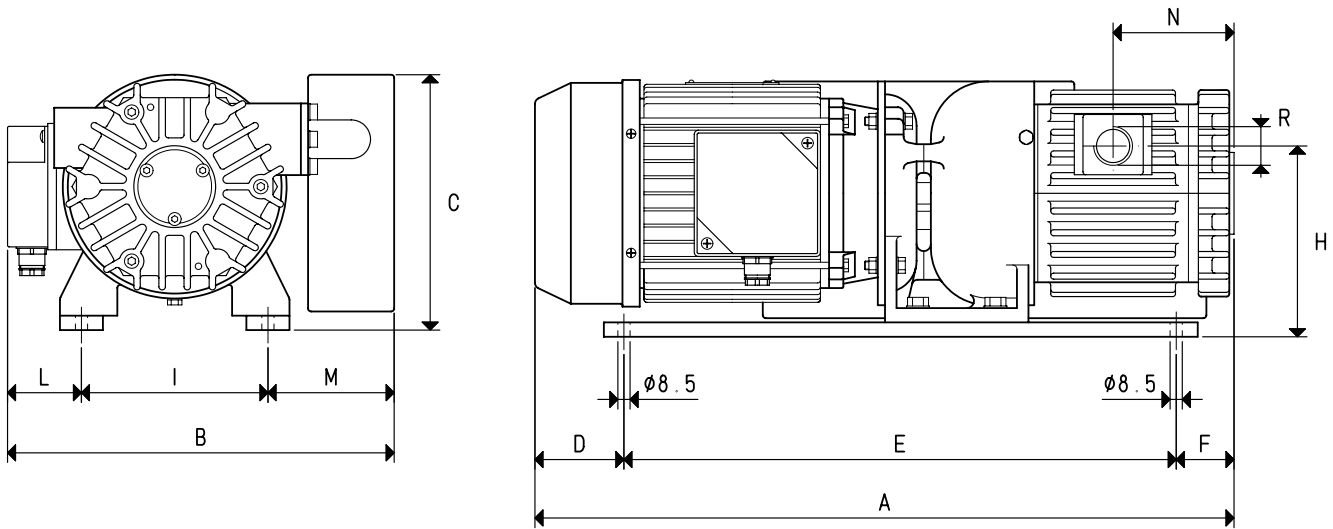


To calculate the emptying time of a volume V_1 , apply the formula $t_1 = \frac{t \times V_1}{100}$

- Curve regarding capacity (referring to the suction pressure)
- - - Curve regarding capacity (referring to a 1013 bar pressure)
- Curve regarding the emptying of a 100-litre volume

- V_1 : Volume to be emptied
- t_1 : Time to be calculated (sec)
- t : Time obtained in the table (sec)

DRY VACUUM PUMPS VTS 20/F and 25/F



Art.	VTS 20/F			VTS 25/F	
	50Hz	60Hz		50Hz	60Hz
Frequency	50Hz	60Hz		50Hz	60Hz
Capacity	20.0	24.0		25.0	30.0
Final pressure	80			80	
Motor execution	3~	275/480±10%		230/400±10%	275/480±10%
Volt	1~	230±10%		230±10%	
Motor power	3~	0.88	1.05	0.88	1.05
Kw	1~	0.88	1.05	0.88	1.05
Motor protection	IP	54		54	
Rotation speed	rev/min ⁻¹	1450	1740	1450	1740
Motor shape		Special			Special
Motor size		80			80
Noise level	dB(A)	65	67	65	67
Max. weight	3~	27.4		28.1	
Kg	1~	27.9		28.6	
A		428		428	
B		260		260	
C		187		187	
D		24		24	
E		340		385	
F		64		19	
H		133		133	
I		130		130	
L		55		55	
M		75		75	
N		73		73	
R	Ø gas	G1/2"		G3/4"	
Accessories and spare parts					
6 graphite vanes	art.	00 VTS 20F 10		00 VTS 25F 10	
Front graphite disc	art.	00 VTS 10F 21		00 VTS 10F 21	
Rear graphite disc	art.	00 VTS 10F 21		00 VTS 10F 21	
Sealing kit	art.	00 KIT VTS 20F		00 KIT VTS 25F	
Check valve	art.	10 03 10		10 04 10	
Suction filtre	art.	FB 20/FC 20		FB 25/FC 25	

Note: The pump will be supplied with single-phase electric motor by adding the letter M to the article (E.g.: VTS 20/F M).

Conversion ratio: inch = $\frac{\text{mm}}{25.4}$; pounds = $\frac{\text{g}}{453.6} = \frac{\text{Kg}}{0.4536}$ cfm = cum/h x 0.588; inch Hg = mbar x 0.0295; psi = bar (g) x 14.6