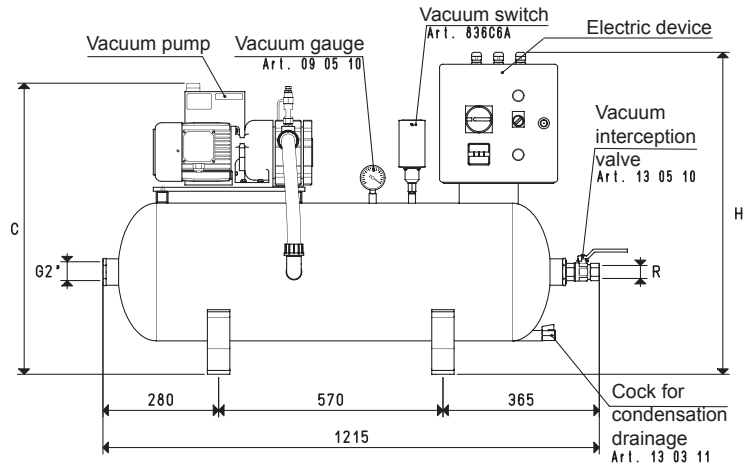
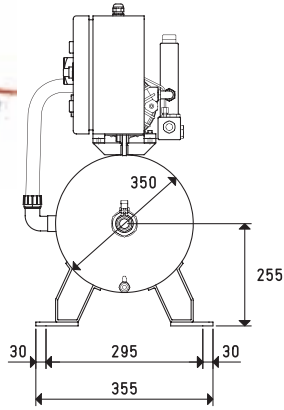


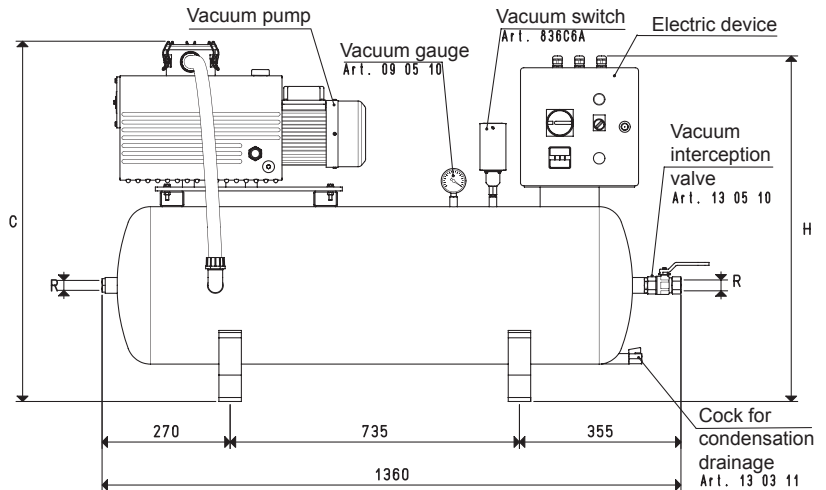
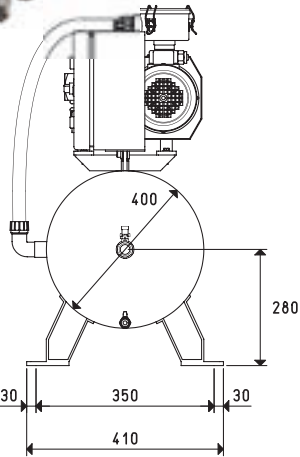
HORIZONTAL PUMPSETS DO 100 ...



Art.	Tank	Pump	Motor execution	Switchgear	C	H	R	Weight	Filter accessories
	Litres	Mod.	Volt	art.			Ø	Kg	art.
DO 100 VTL 10/F	100	VTL 10/F	3 ~ 230/400-50Hz	DO 100 90	710	800	G1"	66.7	FB 30 / FC 30
DO 100 VTL 10/F M	100	VTL 10/F M	1 ~ 230/50Hz	DO 100 89	710	800	G1"	68.2	FB 30 / FC 30
DO 100 VTL 15/F	100	VTL 15/F	3 ~ 230/400-50Hz	DO 100 90	710	800	G1"	68.7	FB 30 / FC 30
DO 100 VTL 15/F M	100	VTL 15/F M	1 ~ 230-50Hz	DO 100 89	710	800	G1"	70.2	FB 30 / FC 30
DO 100 VTL 20/F	100	VTL 20/F	3 ~ 230/400-50Hz	DO 100 90	710	800	G1"	71.7	FB 30 / FC 30
DO 100 VTL 20/F M	100	VTL 20/F M	1 ~ 230-50Hz	DO 100 89	710	800	G1"	73.2	FB 30 / FC 30
DO 100 MV 20	100	MV 20	3 ~ 230/400-50Hz	DO 100 90	681	800	G1"	62.2	FB 30 / FC 30
DO 100 MV 20 M	100	MV 20 M	1 ~ 230-50Hz	DO 100 89	681	800	G1"	64.7	FB 30 / FC 30

Note: By adding the letters SR, the pumpset will be supplied with wheels (E.g.: DO 100 VTL 15/F S)

HORIZONTAL PUMPSETS DO 150 ...



Art.	Tank	Pump	Motor execution	Switchgear	C	H	R	Weight	Filter accessories
	Litres	Mod.	Volt	art.			Ø	Kg	art.
DO 150 VTL 25/FG	150	VTL 25/FG	3 ~ 230/400-50Hz	DO 100 90	805	840	G1"	79.0	FB 30 / FC 30
DO 150 VTL 30/FG	150	VTL 30/FG	3 ~ 230/400-50Hz	DO 100 90	805	840	G1"	83.0	FB 30 / FC 30
DO 150 VTL 35/FG	150	VTL 35/FG	3 ~ 230/400-50Hz	DO 100 90	805	840	G1"	85.0	FB 30 / FC 30
DO 150 MV 40	150	MV 40	3 ~ 230/400-50Hz	DO 100 90	916	840	G1"	93.0	FB 30 / FC 30
DO 150 VTL 50/G1	150	VTL 50/G1	3 ~ 230/400-50Hz	DO 100 90	880	840	G1"	102.0	FB 30 / FC 30
DO 150 MV 60	150	MV 60	3 ~ 230/400-50Hz	DO 100 90	916	840	G1"	101.0	FB 30 / FC 30
DO 150 VTL 75/G1	150	VTL 75/G1	3 ~ 230/400-50Hz	DO 100 90	930	840	G1"	118.5	FB 30 / FC 30

Note: By adding the letters SR, the pumpset will be supplied with wheels (E.g.: DO 150 VTL 30/FG SR).

As a standard, all MV... pumps are equipped with an FC... filtre adjusted to the suction connection size.