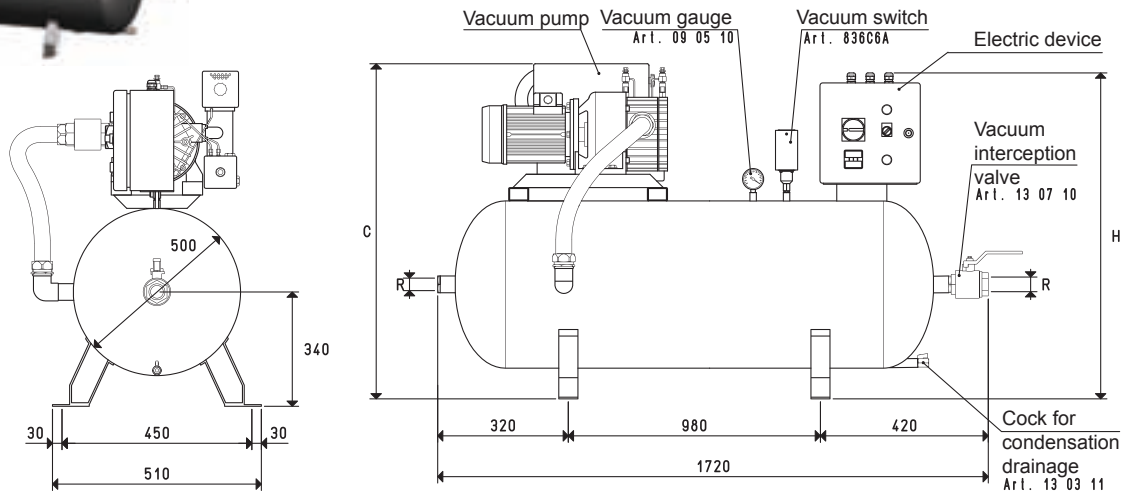


HORIZONTAL PUMPSETS DO 300 ...

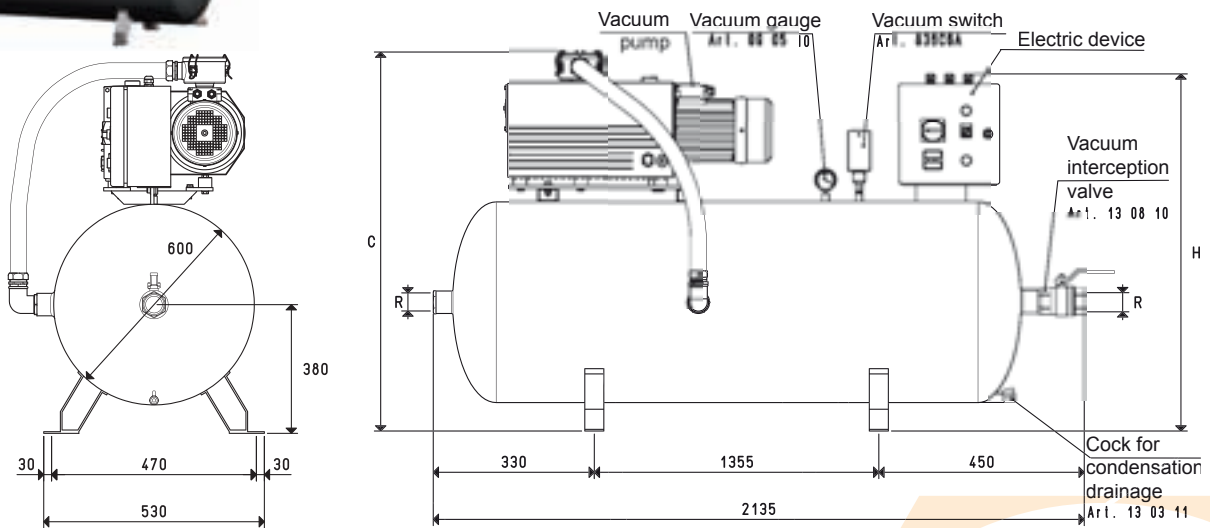


Art.	Tank	Pump	Motor execution	Switchgear	C	H	R	Weight	Filter accessories
	Litres	Mod.	Volt	art.			Ø	Kg	art.
DO 300 MV 60	300	MV 60	3 ~ 230/400-50Hz	DO 100 90	940	940	G1"1/2	135.3	FB 50 / FC 50
DO 300 VTL 75/G1	300	VTL 75/G1	3 ~ 230/400-50Hz	DO 100 90	1040	940	G1"1/2	153.3	FB 50 / FC 50
DO 300 MV 100	300	MV 100	3 ~ 230/400-50Hz	DO 100 90	970	940	G1"1/2	162.3	FB 50 / FC 50
DO 300 VTL 105/G1	300	VTL 105/G1	3 ~ 230/400-50Hz	DO 100 90	1080	940	G1"1/2	181.7	FB 50 / FC 50
DO 300 MV 160R	300	MV 160R	3 ~ 230/400-50Hz	DO 100 90	988	940	G1"1/2	186.3	FB 50 / FC 50

Note: By adding the letters SR, the pumpset will be supplied with wheels (E.g.: DO 300 MV 100 SR).



HORIZONTAL PUMPSETS DO 500 ...



Art.	Tank	Pump	Motor execution	Switchgear	C	H	R	Weight	Filter accessories
	Litres	Mod.	Volt	art.			Ø	Kg	art.
DO 500 MV 100	500	MV 100	3 ~ 230/400-50Hz	DO 100 90	1060	1010	G2"	232.2	FB 60 / FC 60
DO 500 VTL 105/G1	500	VTL 105/G1	3 ~ 230/400-50Hz	DO 100 90	1180	1010	G2"	249.8	FB 60 / FC 60
DO 500 MV 160R	500	MV 160R	3 ~ 230/400-50Hz	DO 100 90	1198	1010	G2"	273.8	FB 60 / FC 60
DO 500 MV 200R	500	MV 200R	3 ~ 230/400-50Hz	DO 100 91	1220	1010	G2"	303.2	FB 60 / FC 60
DO 500 MV 300R	500	MV 300R	3 ~ 400/690-50Hz	DO 100 91	1220	1010	G2"	333.2	FB 60 / FC 60

Note: As a standard, all MV... pumps are equipped with an FC... filtre adjusted to the suction connection size.

Conversion ratio: inch = $\frac{mm}{25.4}$; pounds = $\frac{g}{453.6} = \frac{Kg}{0.4536}$

GAS-NPT thread adapters available at page 1.117