

## VERTICAL PUMPSETS – GENERAL DESCRIPTION

*As a standard, these pumpsets are built with various capacities and they are composed of:*

- *A vertical welded sheet steel tank with perfect vacuum seal.*
- *A rotating vane vacuum pump to be selected according to the required suction capacity and vacuum degree.*
- *A vacuum switch for adjusting the vacuum level within which to operate.*
- *A vacuum gauge for a direct reading of the vacuum level in the tank.*
- *A switchgear enclosed in a special watertight metal casing.*
- *A manual valve for vacuum interception.*
- *A cock for condensation drainage.*

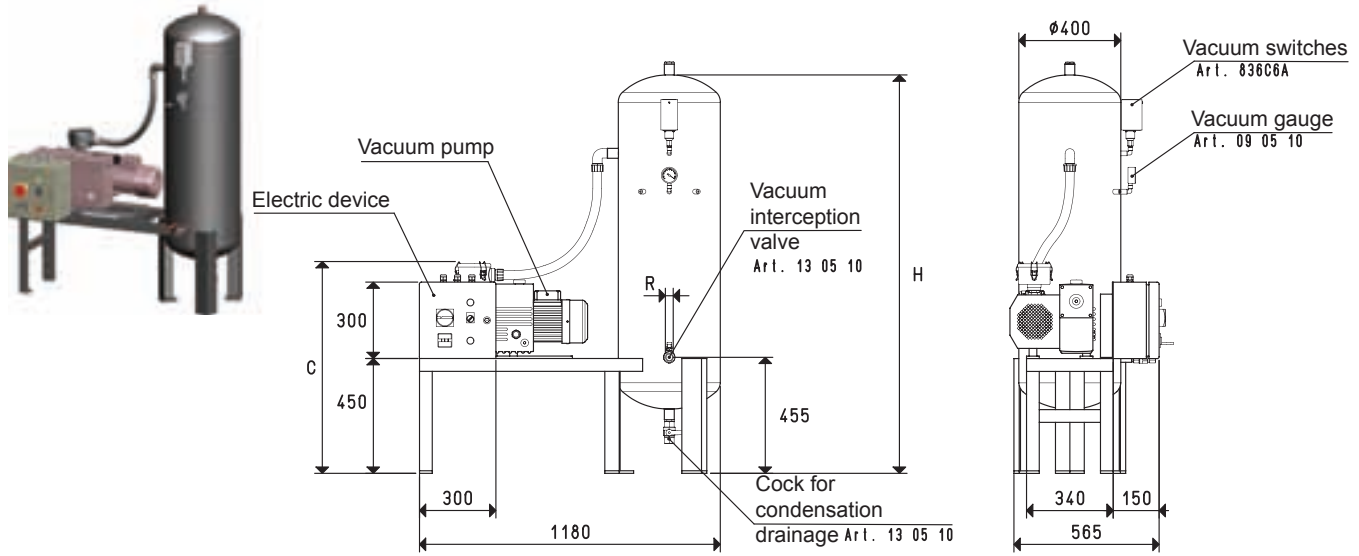
*The vacuum level, preset via the mini vacuum switch is automatically maintained in the tank. The pump operation can be both continuous or automatic.*

*These pumpsets are normally used for interconnecting several vacuum-operated machines and, for safety reasons, for vacuum handlers since, in case of electricity failure, they allow the vacuum cups to maintain the grip for an amount of time proportional to the tank capacity.*

*As for energy consumption, in both cases these pumpsets offer many advantages, since the pump operates only to restore vacuum in the tank within the preset values and its interventions depend exclusively on the quantity of air that is actually sucked at the service.*

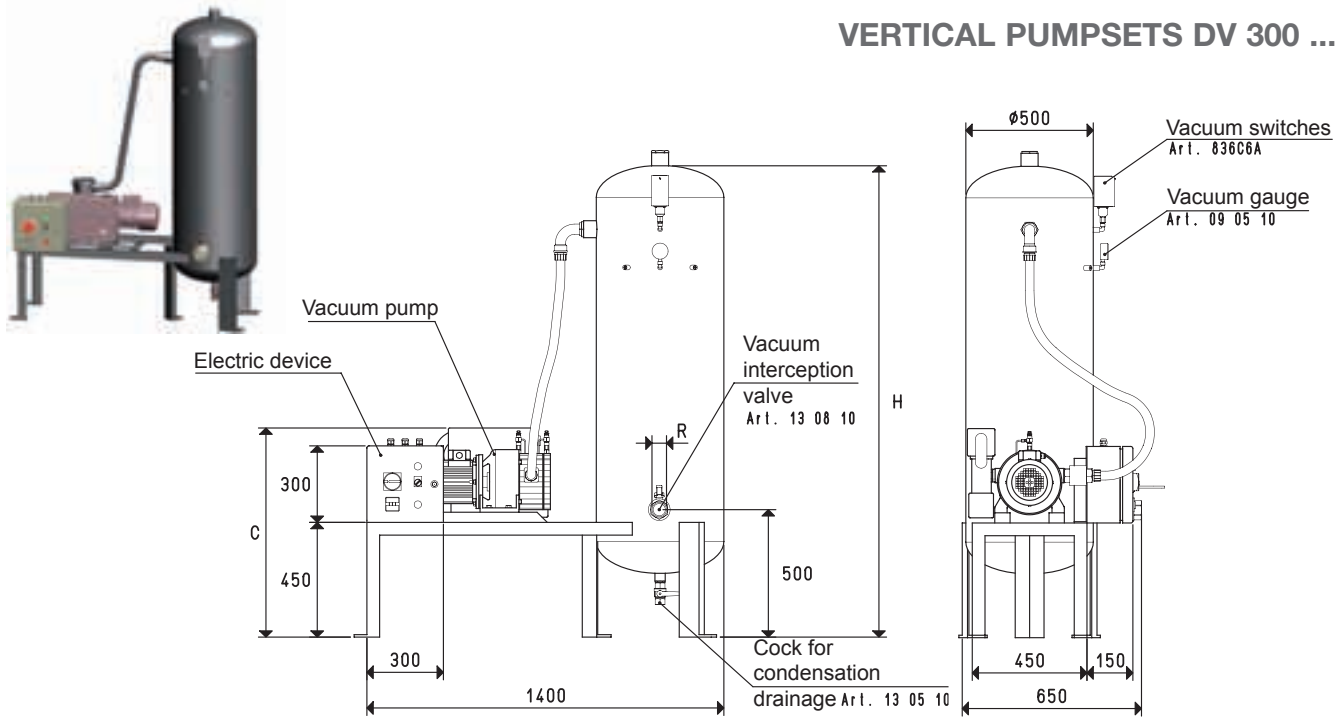


## VERTICAL PUMPSETS DV 150 ...



Art.	Tank	Pump	Motor	Switchgear	C	H	R	Weight	Filtere
	Litres	Mod.	execution	art.					accessories
<b>DV 150 VTL 25/FG</b>	150	VTL 25/FG	3 ~ 230/400-50Hz	D0 100 90	730	1600	G1"	103	FB 30 / FC 30
<b>DV 150 VTL 30/FG</b>	150	VTL 30/FG	3 ~ 230/400-50Hz	D0 100 90	730	1600	G1"	107	FB 30 / FC 30
<b>DV 150 VTL 35/FG</b>	150	VTL 35/FG	3 ~ 230/400-50Hz	D0 100 90	730	1600	G1"	109	FB 30 / FC 30
<b>DV 150 MV 40</b>	150	MV 40	3 ~ 230/400-50Hz	D0 100 90	810	1600	G1"	117	FB 30 / FC 30
<b>DV 150 VTL 50/G1</b>	150	VTL 50/G1	3 ~ 230/400-50Hz	D0 100 90	805	1600	G1"	126	FB 30 / FC 30
<b>DV 150 MV 60</b>	150	MV 60	3 ~ 230/400-50Hz	D0 100 90	810	1600	G1"	125	FB 30 / FC 30
<b>DV 150 VTL 75/G1</b>	150	VTL 75/G1	3 ~ 230/400-50Hz	D0 100 90	855	1600	G1"	148	FB 30 / FC 30

## VERTICAL PUMPSETS DV 300 ...



Art.	Tank	Pump	Motor	Switchgear	C	H	R	Weight	Filtere
	Litres	Mod.	execution	art.					accessories
<b>DV 300 MV 40</b>	300	MV 40	3 ~ 230/400-50Hz	D0 100 90	810	1890	G2"	147	FB 60 / FC 60
<b>DV 300 VTL 50/G1</b>	300	VTL 50/G1	3 ~ 230/400-50Hz	D0 100 90	805	1890	G2"	156	FB 60 / FC 60
<b>DV 300 MV 60</b>	300	MV 60	3 ~ 230/400-50Hz	D0 100 90	810	1890	G2"	155	FB 60 / FC 60
<b>DV 300 VTL 75/G1</b>	300	VTL 75/G1	3 ~ 230/400-50Hz	D0 100 90	855	1890	G2"	178	FB 60 / FC 60
<b>DV 300 MV 100</b>	300	MV 100	3 ~ 230/400-50Hz	D0 100 90	840	1890	G2"	182	FB 60 / FC 60
<b>DV 300 VTL 105/G1</b>	300	VTL 105/G1	3 ~ 230/400-50Hz	D0 100 90	900	1890	G2"	199	FB 60 / FC 60
<b>DV 300 MV 160R</b>	300	MV 160R	3 ~ 230/400-50Hz	D0 100 90	858	1890	G2"	206	FB 60 / FC 60

**Note:** As a standard, all MV... pumps are equipped with an FC... filtre adjusted to the suction connection size.

Conversion ratio: inch =  $\frac{\text{mm}}{25.4}$ ; pounds =  $\frac{\text{g}}{453.6} = \frac{\text{Kg}}{0.4536}$

GAS-NPT thread adapters available at page 1.117