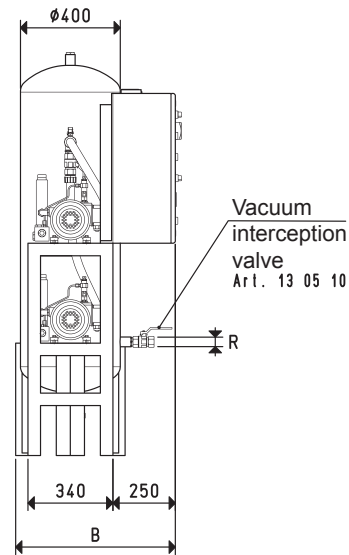
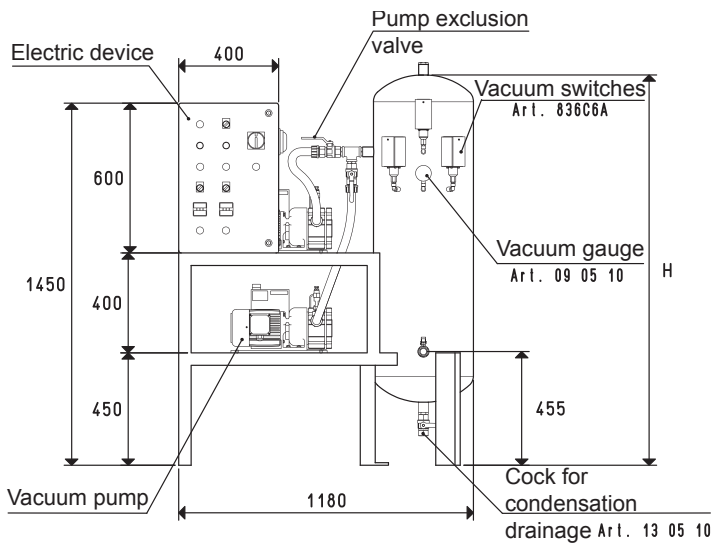
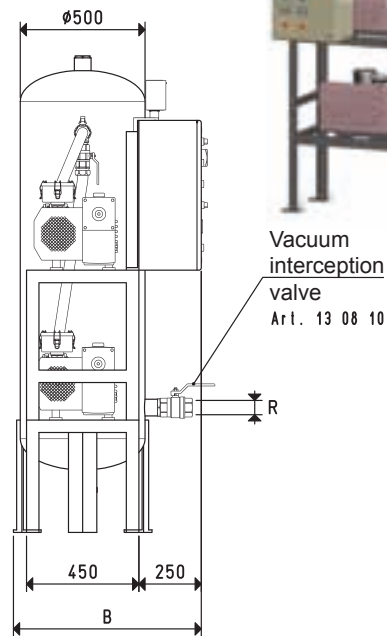
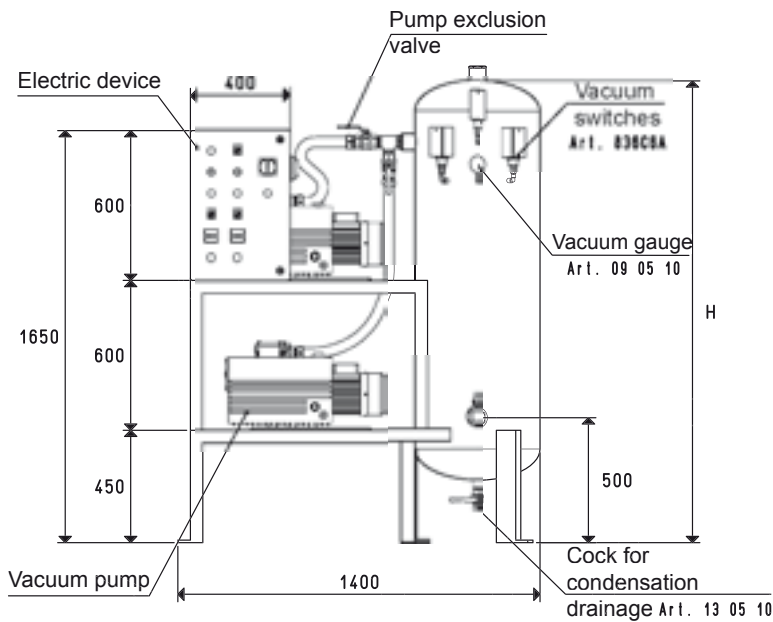


VERTICAL SAFETY PUMPSETS DSV 150 ...



Art.	Tank	2 pumps	Motor execution	Switchgear	B	H	R	Weight	Filter accessories
	Litres	Mod.	Volt	art.			ϕ	Kg	art.
DSV 150 VTL 10/F	150	VTL 10/F	3 ~ 230/400-50Hz	DSO 300 90	625	1600	G1"	152	FB 30 / FC 30
DSV 150 VTL 15/F	150	VTL 15/F	3 ~ 230/400-50Hz	DSO 300 90	625	1600	G1"	164	FB 30 / FC 30
DSV 150 VTL 20/F	150	VTL 20/F	3 ~ 230/400-50Hz	DSO 300 90	625	1600	G1"	167	FB 30 / FC 30
DSV 150 MV 20	150	MV 20	3 ~ 230/400-50Hz	DSO 300 90	625	1600	G1"	158	FB 30 / FC 30
DSV 150 VTL 25/FG	150	VTL 25/FG	3 ~ 230/400-50Hz	DSO 300 90	630	1600	G1"	168	FB 30 / FC 30
DSV 150 VTL 30/FG	150	VTL 30/FG	3 ~ 230/400-50Hz	DSO 300 90	630	1600	G1"	172	FB 30 / FC 30
DSV 150 VTL 35/FG	150	VTL 35/FG	3 ~ 230/400-50Hz	DSO 300 90	630	1600	G1"	174	FB 30 / FC 30

VERTICAL SAFETY PUMPSETS DSV 300 ...



Art.	Tank	2 pumps	Motor accessories	Switchgear	B	H	R	Weight	Filter accessories
	Litres	Mod.	Volt	art.			ϕ	Kg	art.
DSV 300 MV 40	300	MV 40	3 ~ 230/400-50Hz	DSO 300 90	725	1890	G2"	217	FB 60 / FC 60
DSV 300 VTL 50/G1	300	VTL 50/G1	3 ~ 230/400-50Hz	DSO 300 90	725	1890	G2"	226	FB 60 / FC 60
DSV 300 MV 60	300	MV 60	3 ~ 230/400-50Hz	DSO 300 90	725	1890	G2"	225	FB 60 / FC 60
DSV 300 VTL 75/G1	300	VTL 75/G1	3 ~ 230/400-50Hz	DSO 300 90	725	1890	G2"	249	FB 60 / FC 60
DSV 300 MV 100	300	MV 100	3 ~ 230/400-50Hz	DSO 300 90	725	1890	G2"	252	FB 60 / FC 60
DSV 300 VTL 105/G1	300	VTL 105/G1	3 ~ 230/400-50Hz	DSO 300 90	725	1890	G2"	270	FB 60 / FC 60

Note: As a standard, all MV... pumps are equipped with an FC... filtre adjusted to the suction connection size.