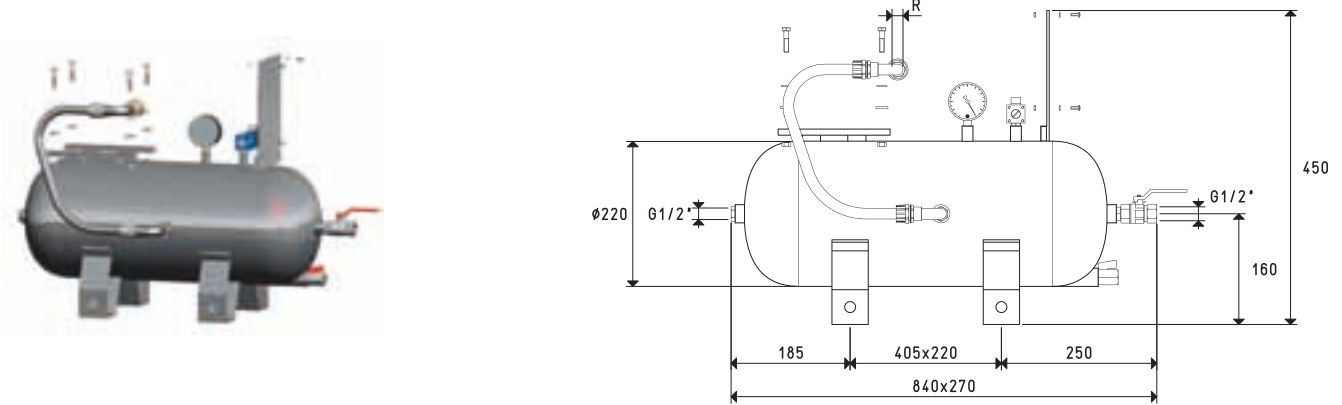


TANKS FOR HORIZONTAL PUMPSETS WITH ONE VACUUM PUMP

Horizontal pumpset tanks have a circular section. They are made with welded sheet steel with perfect vacuum seal and are varnished with special corrosion and water condensation-resistant paint. They are set for the installation of a vacuum pump and a switchgear to be selected among those in the table, and are equipped with:

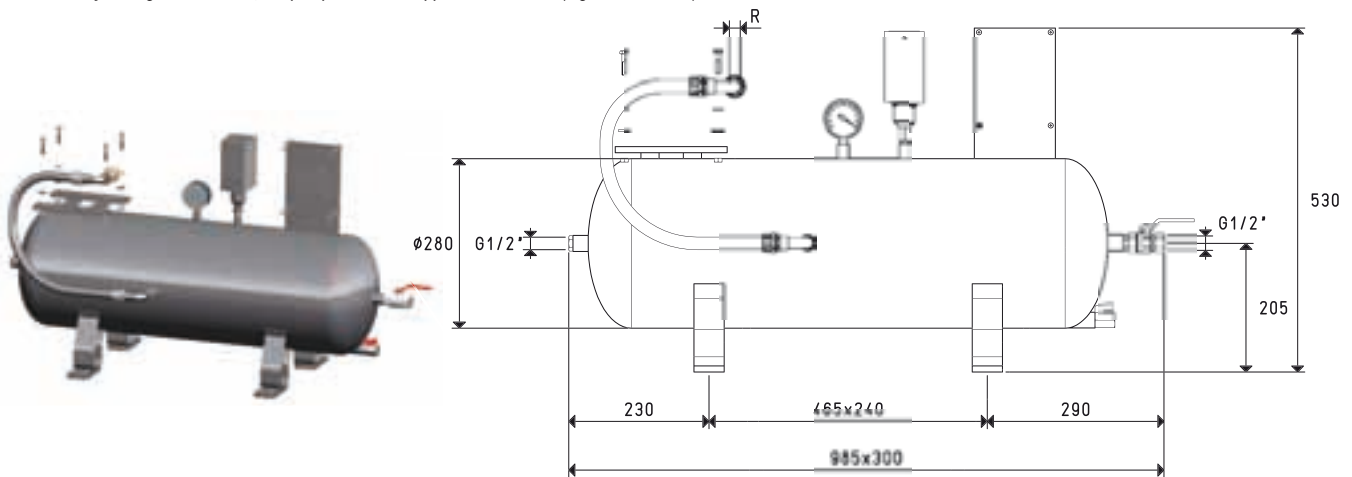
- A vacuum switch for adjusting the vacuum level within which to operate.
- A vacuum gauge for a direct reading of the vacuum level in the tank.
- A check valve for the pumps that do not have them.
- A manual valve for vacuum interception.
- A cock for condensation drainage.

- Hoses, fittings and screws for fixing the pump to the tank.
Available with various volumes, from 25 to 1000 litres.



Art.	Tank	Weight	R	For:		Recommended filtre accessories art.
				Pump	Switchgear	
	Litres	Kg	Ø	Mod.	art.	
DO 25 01	25	17	G3/8"	VTL 5	DO 06 90	FB 20 / FC 20
					DO 06 92	
DO 25 02	25	17	G1/2"	VTL 6 CC - VTL 10	DO 06 90	FB 20 / FC 20
					DO 06 92	
					DO 06 93	

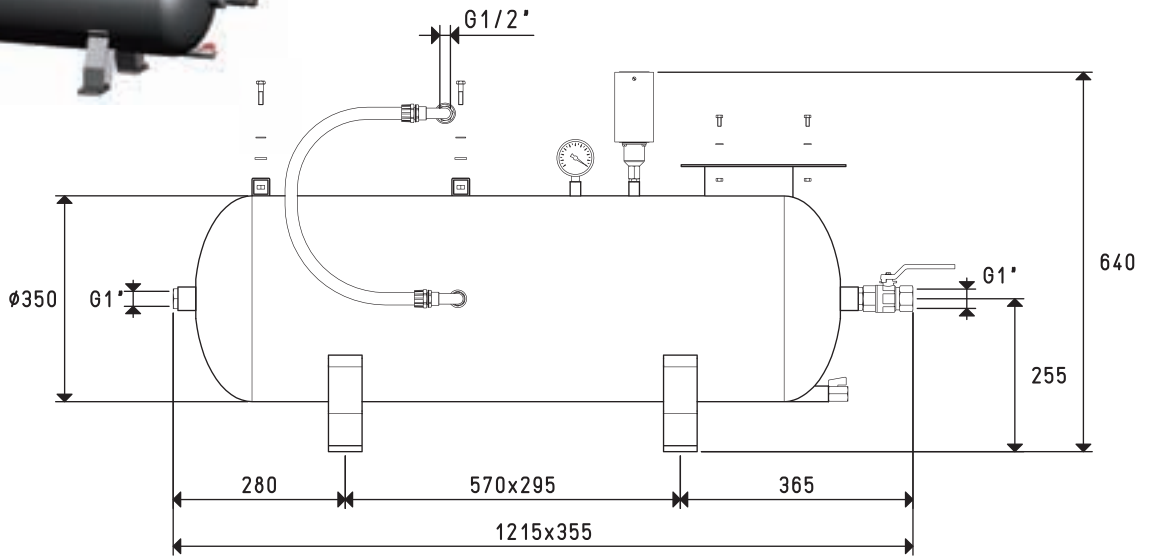
Note: By adding the letters RS, the pumpset will be supplied with wheels (E.g.: DO 25 01 SR).



Art.	Tank	Weight	R	For:		Recommended filtre accessories art.
				Pump	Switchgear	
	Litres	Kg	Ø	Mod.	art.	
DO 50 01	50	23	G3/8"	VTL 5	DO 06 90	FB 20 / FC 20
					DO 06 92	
DO 50 02	50	23	G1/2"	VTL 6 CC - VTL 10	DO 06 90	FB 20 / FC 20
					DO 06 92	
					DO 06 93	

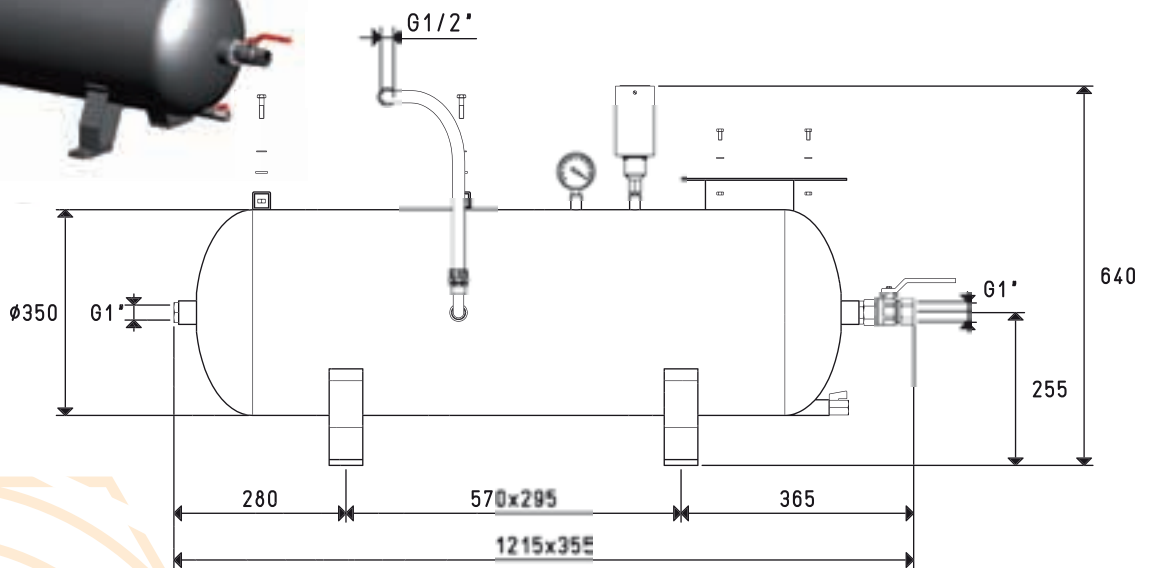
Note: By adding the letters RS, the pumpset will be supplied with wheels (E.g.: DO 50 01 SR).

TANKS FOR HORIZONTAL PUMPSETS WITH ONE PUMP



Art.	Tank	Weight	Pump	For:	Recommended filtre accessories
	Litres			Mod.	
DO 100 01	100	31.6	VTL 10/F - VTL 15/F - VTL 20/F	DO 100 89	FB 30 / FC 30
				DO 100 90	

Note: By adding the letters RS, the pumpset will be supplied with wheels (E.g.: DO 100 01 SR).

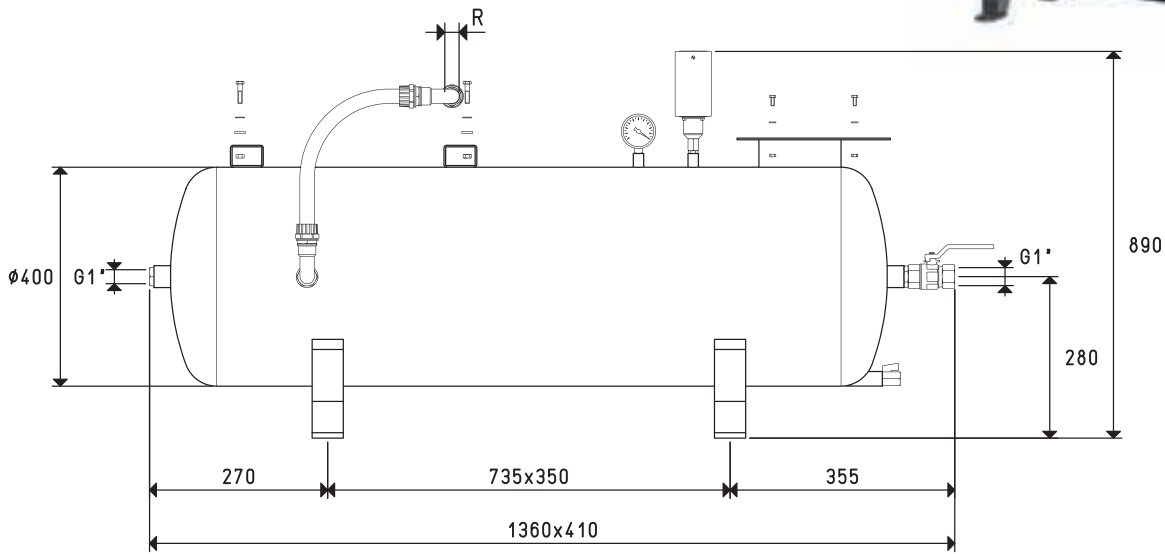


Art.	Tank	Weight	Pump	For:	Recommended filtre accessories
	Litres			Mod.	
DO 100 02	100	31.6	MV 20	DO 100 89	FB 30 / FC 30
				DO 100 90	

Note: By adding the letters RS, the pumpset will be supplied with wheels (E.g.: DO 100 02 SR).

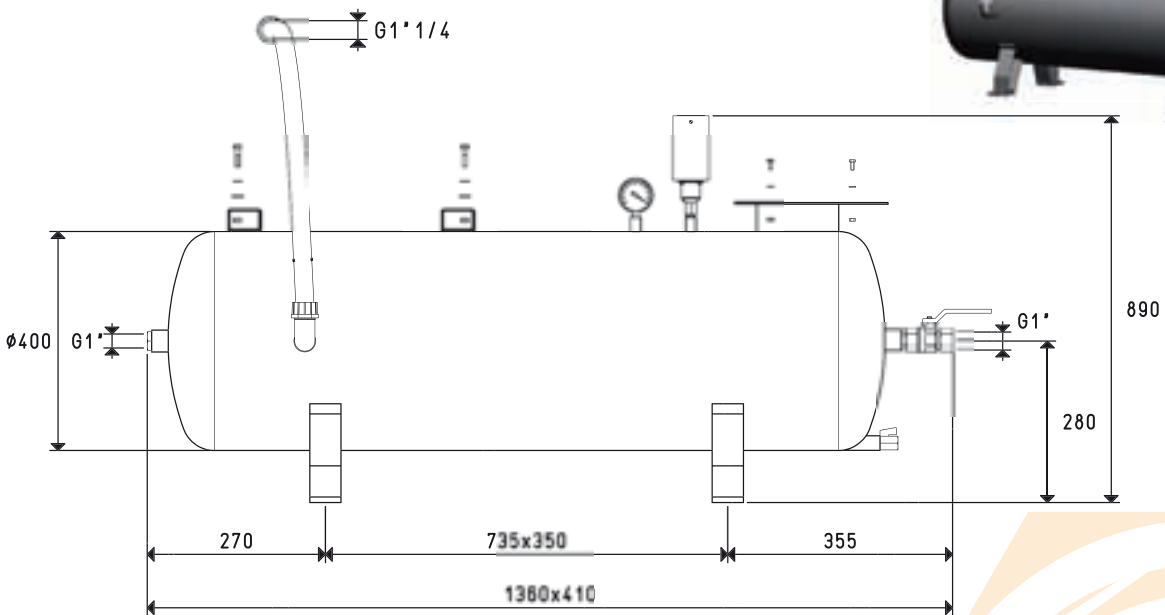
3D drawings available at www.vuototecnica.net

TANKS FOR HORIZONTAL PUMPSETS WITH ONE PUMP



Art.	Tank	Weight	R	For:	Switchgear	Recommended filtre accessories art.
	Litres	Kg	Ø	Pump Mod.		
DO 150 01	150	39	G3/4"	VTL 25/FG - VTL 30/FG - VTL 35/FG	DO 100 90	FB 30 / FC 30
DO 150 02	150	39	G1"	VTL 50/G1 - VTL 75 /G1	DO 100 90	FB 30 / FC 30

Note: By adding the letters RS, the pumpset will be supplied with wheels (E.g.: DO 150 01 SR).

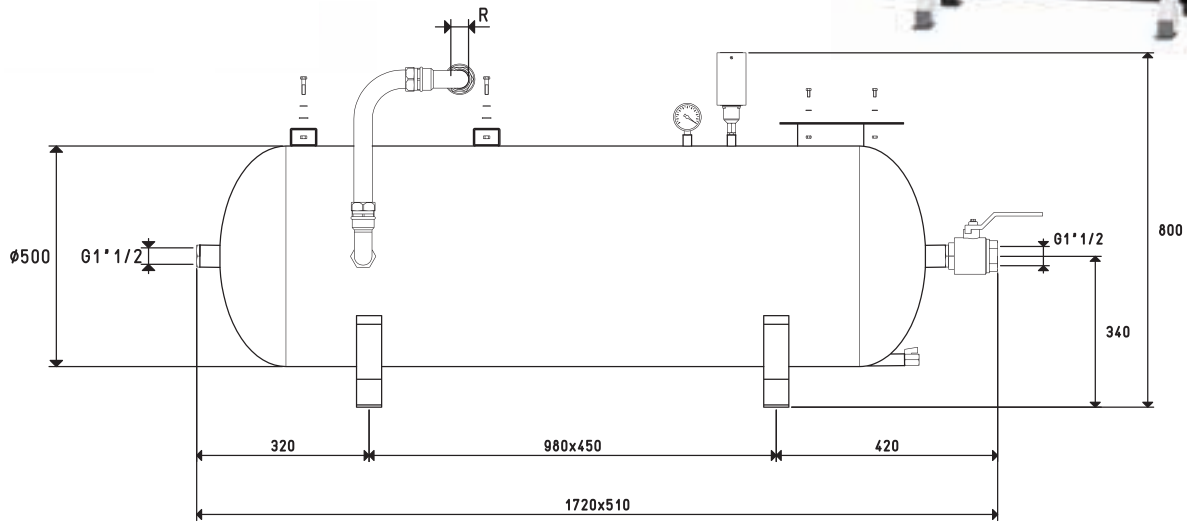


Art.	Tank	Weight	Pump	For:	Switchgear	Recommended filtre accessories art.
	Litres	Kg	Mod.			
DO 150 03	150	39	MV 40 - MV 60		DO 100 90	FB 30 / FC 30

Note: By adding the letters RS, the pumpset will be supplied with wheels (E.g.: DO 150 03 SR).

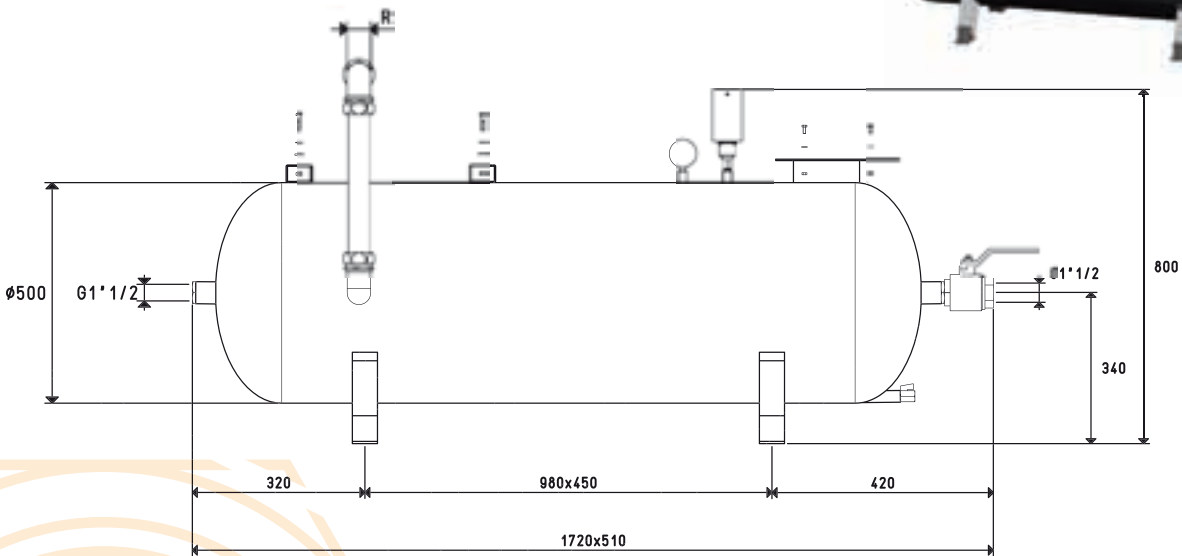
3D drawings available at www.vuototecnica.net

TANKS FOR HORIZONTAL PUMPSETS WITH ONE PUMP



Art.	Tank	Weight	R	Pump	For:	Recommended filtre accessories art.
	Litres	Kg	\varnothing	Mod.	art.	
DO 300 02	300	73	G1"1/4	VTL 75/G1	DO 100 90	FB 50 / FC 50
DO 300 03	300	73	G1"1/2	VTL 105/G1	DO 100 90	FB 50 / FC 50

Note: By adding the letters RS, the pumpset will be supplied with wheels (E.g.: DO 300 02 SR).

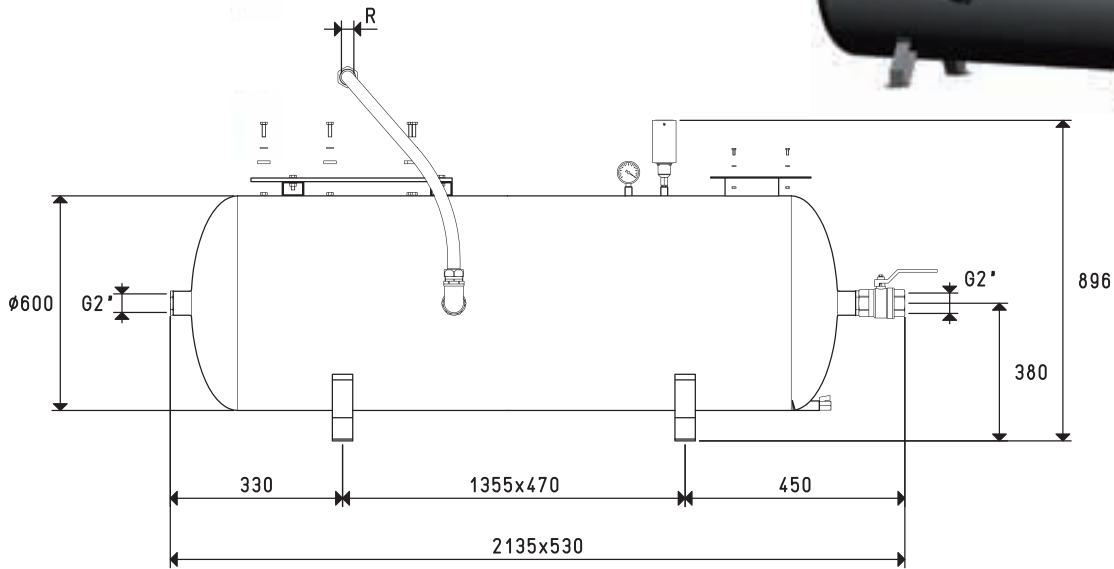


Art.	Tank	Weight	R	Pump	For:	Recommended filtre accessories art.
	Litres	Kg	\varnothing	Mod.	art.	
DO 300 04	300	73	G1"1/4	MV 60 - MV 100	DO 100 90	FB 50 / FC 50
DO 300 05	300	73	G1"1/2	MV 160R	DO 100 90	FB 50 / FC 50

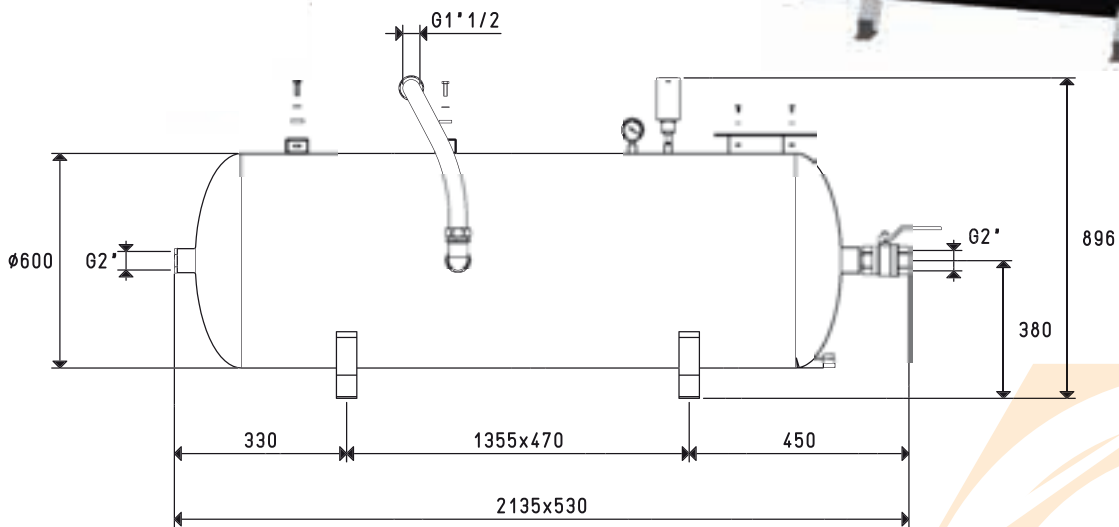
Note: By adding the letters RS, the pumpset will be supplied with wheels (E.g.: DO 300 04 SR).

3D drawings available at www.vuototecnica.net

TANKS FOR HORIZONTAL PUMPSETS WITH ONE PUMP



Art.	Tank	Weight	R	For:	Switchgear	Recommended
	Litres	Kg	Ø	Pump Mod.	art.	filtre accessories art.
DO 500 01	500	143	G1"1/4	MV 100	DO 100 90	FB 60 / FC 60
DO 500 04	500	143	G1"1/2	MV 160R	DO 100 90	FB 60 / FC 60
DO 500 03	500	143	G2"	MV 200R - MV 300R	DO 100 91	FB 60 / FC 60



Art.	Tank	Weight	For:	Switchgear	Recommended
	Litres	Kg	Pump Mod.	art.	filtre accessories art.
DO 500 02	500	143	VTL 105/G1	DO 100 90	FB 60 / FC 60

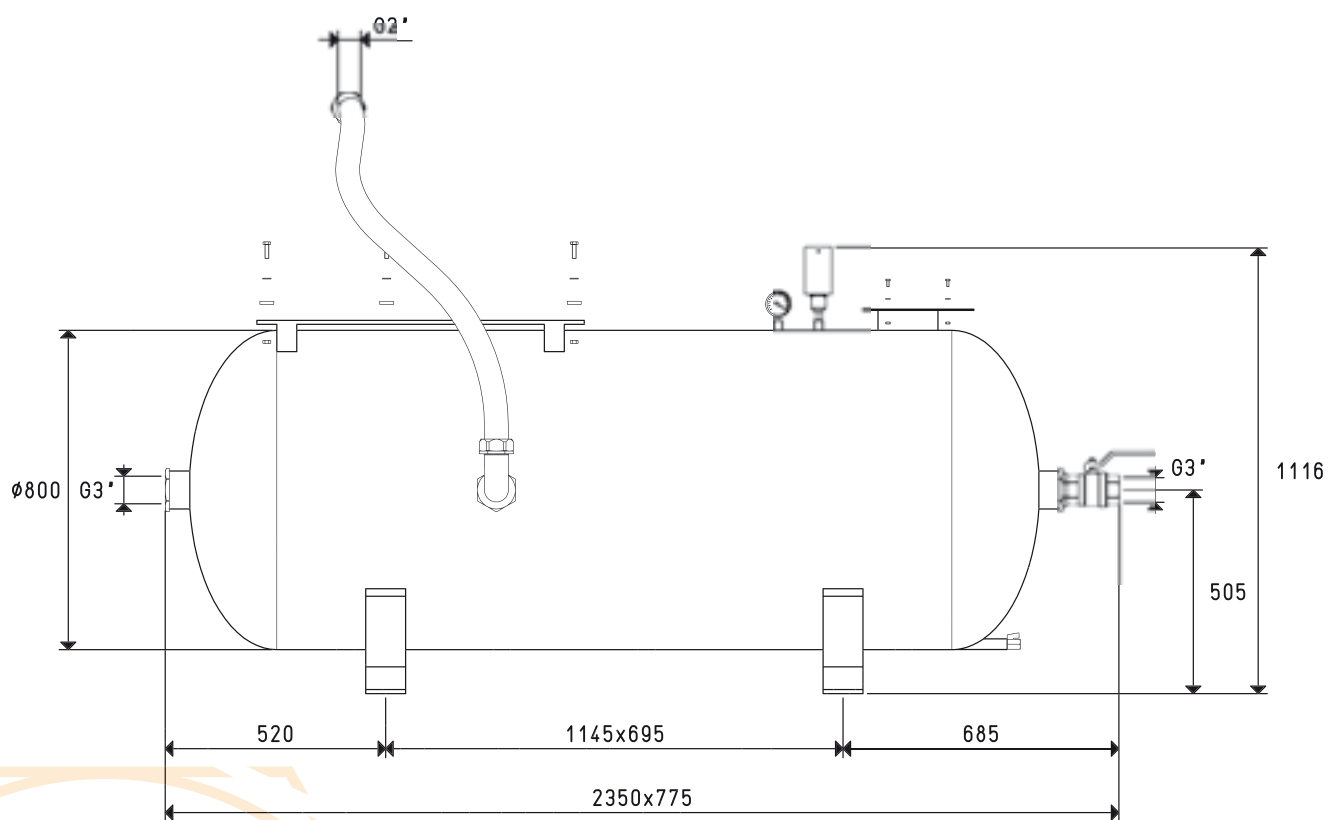
7

3D drawings available at www.vuototecnica.net

Conversion ratio: inch = $\frac{mm}{25.4}$; pounds = $\frac{g}{453.6}$ = $\frac{Kg}{0.4536}$

GAS-NPT thread adapters available at page 1.117

TANKS FOR HORIZONTAL PUMPSETS WITH ONE PUMP



3D drawings available at www.vuototecnica.net

Art.	Tank	Weight	Pump	For:	Switchgear	Recommended filtre accessories
	Litres					
DO 1000 02	1000	235	MV 200R - MV 300R		DO 100 91	FC 80

7.94

Conversion ratio: inch = $\frac{mm}{25.4}$; pounds = $\frac{g}{453.6} = \frac{Kg}{0.4536}$

GAS-NPT thread adapters available at page 1.117