

TANKS FOR VERTICAL PUMPSETS WITH TWO VACUUM PUMPS

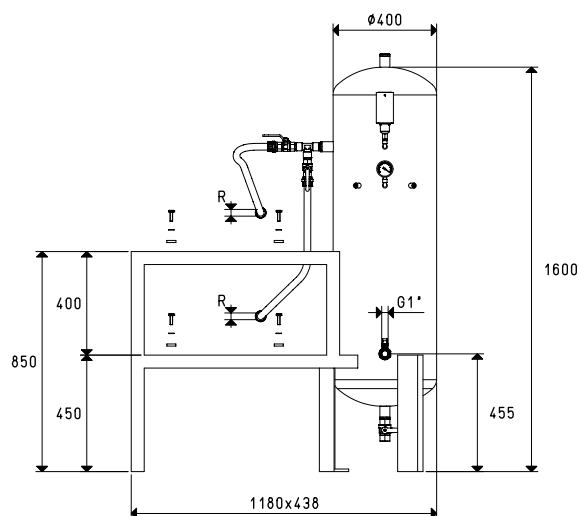
Vertical pumpset tanks have a circular section and are made with welded sheet steel with perfect vacuum seal, while the pump support frame, which is welded to the tank with volume up to 500 litres and is autonomous over that capacity, is made with profiled steel.

Both the tank and the support frame are varnished with special corrosion and water condensation-resistant paint.

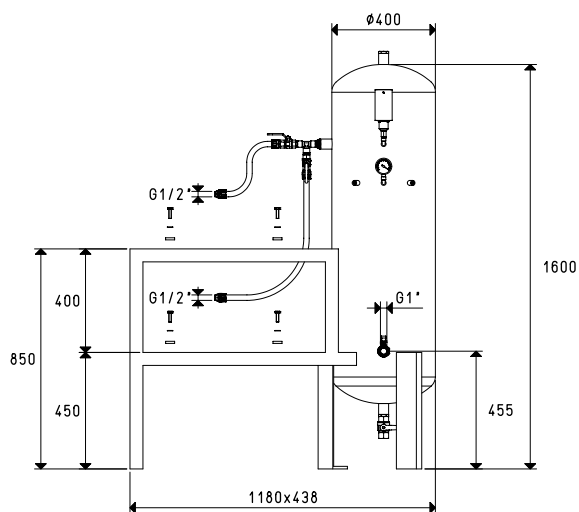
They are set for the installation of two vacuum pumps and a switchgear, to be selected among those in the table, and are equipped with:

- A vacuum switch for adjusting the vacuum level within which to operate.
- A vacuum gauge for a direct reading of the vacuum level in the tank.
- Two check valves for the pumps that do not have them.
- Two manual valves for pump exclusion.
- A manual valve for vacuum interception.
- A cock for condensation drainage.
- Hoses and fittings for connecting the pumps to the tank and screws for fixing them to the support frame.

Available with various volumes, from 150 to 2000 litres.

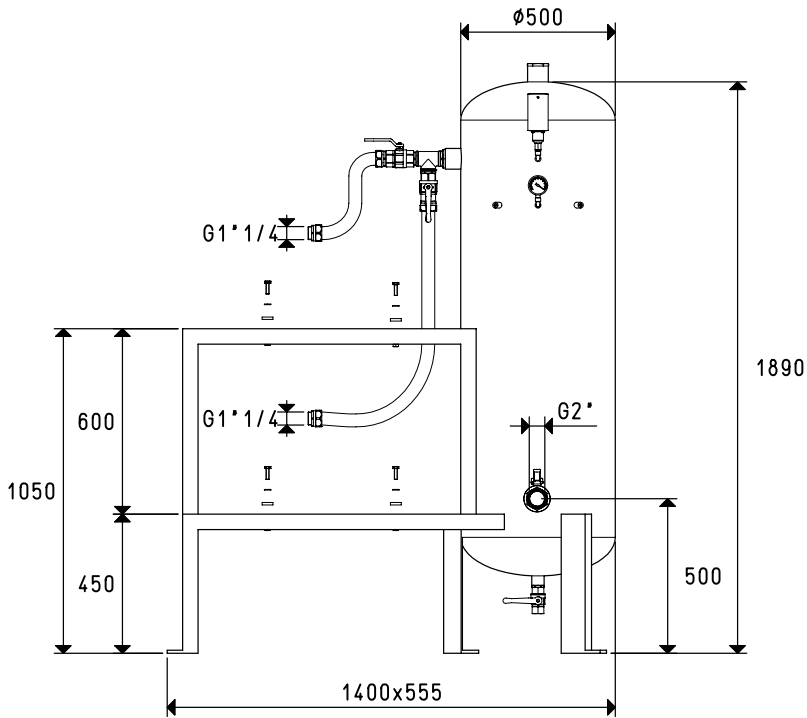


Art.	Tank	Weight	R	For:		Recommended filtre accessories art.
	Litres			Kg	2 pumps	
			Ø	Mod.	art.	
D2V 150 01	150	70	G1/2"	VTL 10/F - VTL 15/F - VTL 20/F	D2V 150 90	FB 30 / FC 30
D2V 150 03	150	70	G3/4"	VTL 25/FG - VTL 30/FG - VTL 35/FG	D2V 150 90	FB 30 / FC 30

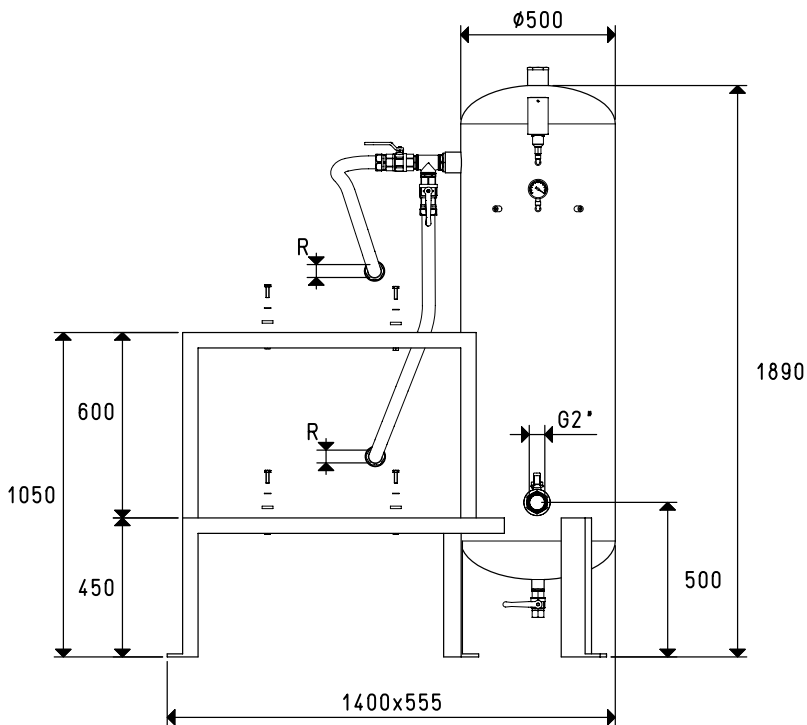


Art.	Tank	Weight	2 pumps	For:		Recommended filtre accessories art.
	Litres			Kg	Mod.	
				art.		
D2V 150 02	150	70	MV 20	D2V 150 90	FB 30 / FC 30	

TANKS FOR VERTICAL PUMPSETS WITH TWO PUMPS



Art.	Tank	Weight	For:			Recommended filtre accessories art.
			2 pumps	Switchgear		
	Litres	Kg	Mod.	art.		
D2V 300 01	300	98	MV 40 - MV 60 - MV 100	D2V 150 90		FB 60 / FC 60



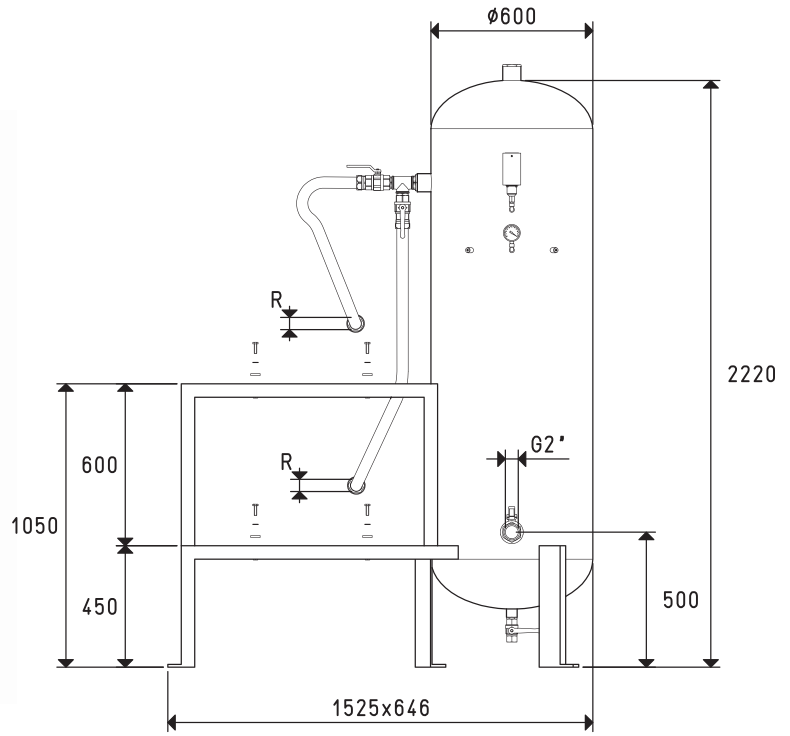
Art.	Tank	Weight	R	For:			Recommended filtre accessories art.
				2 pumps	Switchgear		
	Litres	Kg	Ø	Mod.	art.		
D2V 300 02	300	98	G1"	VTL 50/G1	D2V 150 90	FB 60 / FC 60	
D2V 300 03	300	98	G1"1/4	VTL 75/G1 - VTL 105/ G1	D2V 150 90	FB 60 / FC 60	

3D drawings available at www.vuototecnica.net

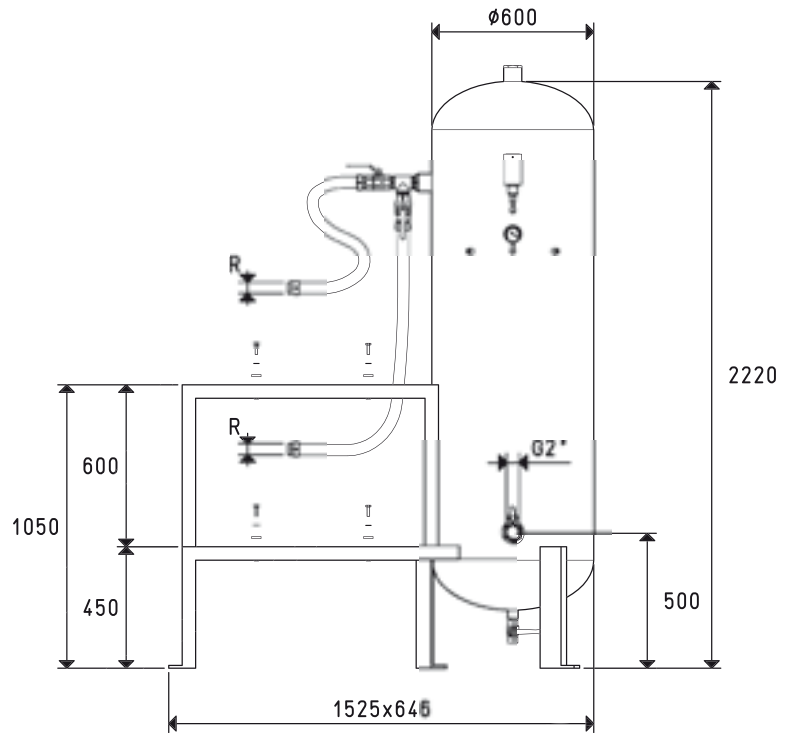
Conversion ratio: inch = $\frac{\text{mm}}{25.4}$; pounds = $\frac{\text{g}}{453.6} = \frac{\text{Kg}}{0.4536}$

GAS-NPT thread adapters available at page 1.117

TANKS FOR VERTICAL PUMPSETS WITH TWO PUMPS



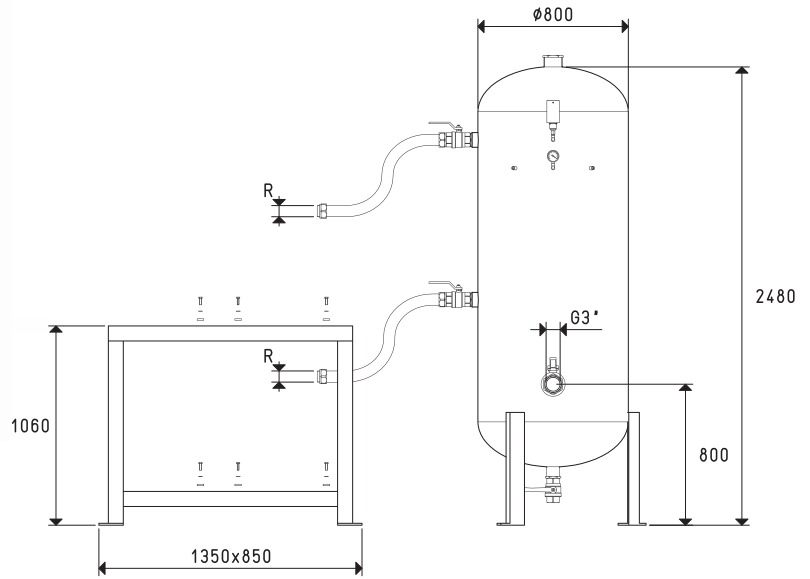
Art.	Tank	Weight	R	For:		Recommended filtre accessories art.
	Litres			Kg	2 pumps	
			∅	Mod.	art.	
D2V 500 01	500	173	G1"1/4	VTL 75/G1	D2V 150 90	FB 60 / FC 60
D2V 500 03	500	173	G1"1/2	VTL 105/G1	D2V 150 90	FB 60 / FC 60



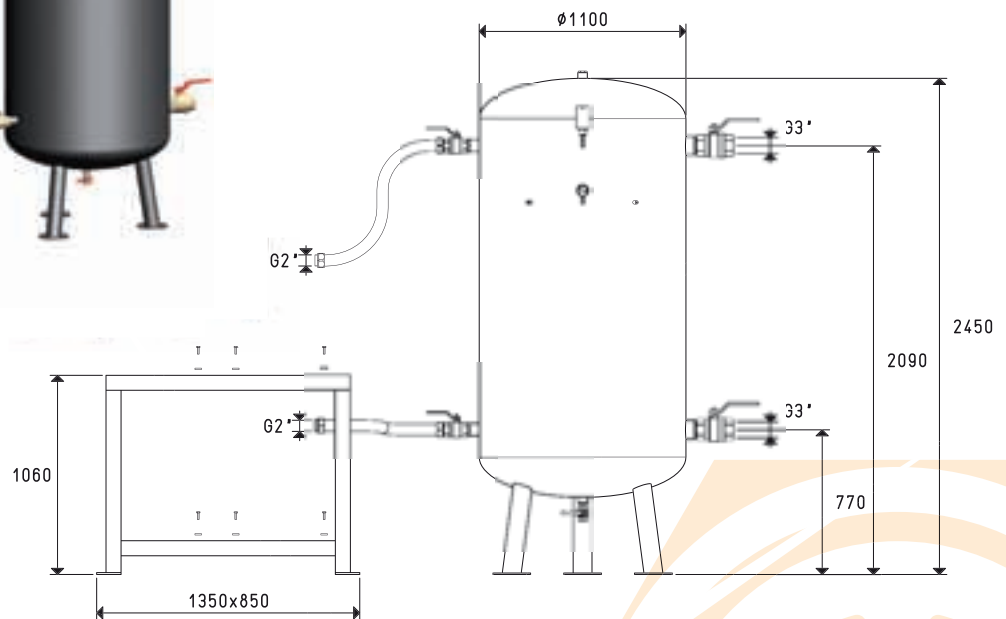
Art.	Tank	Weight	R	For:		Recommended filtre accessories art.
	Litres			Kg	2 pumps	
			∅	Mod.	art.	
D2V 500 02	500	173	G1"1/4	MV 60 - MV 100	D2V 150 90	FB 60 / FC 60
D2V 500 04	500	173	G1"1/2	MV 160R	D2V 150 90	FB 60 / FC 60

3D drawings available at www.vuototecnica.net

TANKS FOR VERTICAL PUMPSETS WITH TWO PUMPS



Art.	Tank	Weight	R	For:		Recommended filtre accessories art.
	Litres			Kg	2 pumps	
			Ø	Mod.	art.	
D2V 1000 01	1000	243	G1"1/2	MV 160R	DV 150 90	FC 80
D2V 1000 02	1000	243	G2"	MV 200R - MV 300R	DV 150 91	FC 80



Art.	Tank	Weight	R	For:		Recommended filtre accessories art.
	Litres			Kg	2 pumps	
			Ø	Mod.	art.	
D2V 2000 01	2000	580	G2"	MV 200R - MV 300R	DV 150 91	FC 80

3D drawings available at www.vuototecnica.net