

TANKS FOR VERTICAL SAFETY PUMPSETS WITH TWO VACUUM PUMPS

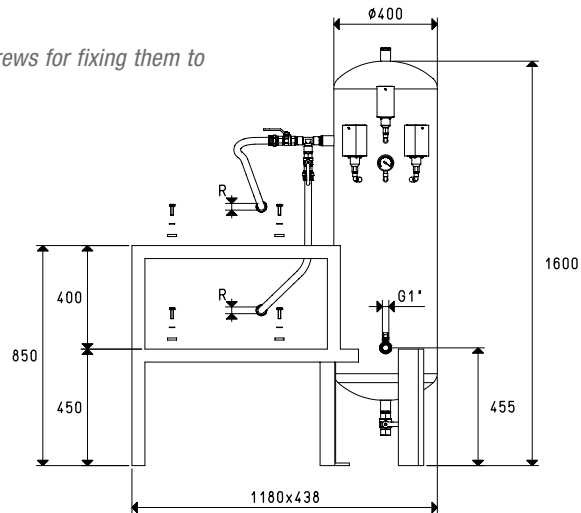
Vertical safety pumpset tanks have a circular section and are made with welded sheet steel with perfect vacuum seal, while the pump support frame, which is welded to the tanks with a volume up to 500 litres and is autonomous above that volume, is made with profiled steel.

Both the tank and the support frame are varnished with special corrosion and water condensation-resistant paint.

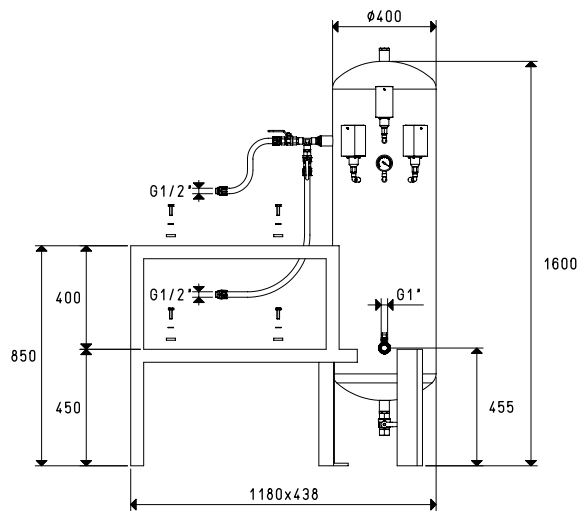
They are set for the installation of two vacuum pumps and a switchgear, to be selected among those in the table, and are equipped with:

- Three vacuum switches, of which two are for adjusting the vacuum level within which each pump must operate in order to determine the minimum safety value, under which the alarm sets off.
- A vacuum gauge for a direct reading of the vacuum level in the tank.
- Two check valves for the pumps that do not have them.
- Two manual valves for pump exclusion.
- A manual valve for vacuum interception.
- A cock for condensation drainage.
- Hoses and fittings for connecting the pumps to the tank and screws for fixing them to the support frame.

Available with various volumes, from 150 to 2000 litres.



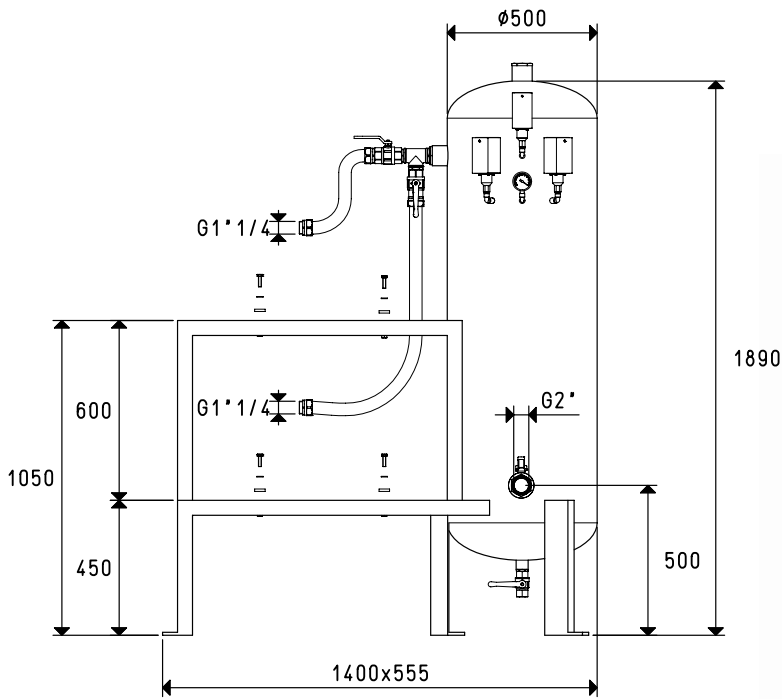
Art.	Tank	Weight	R	For:		Recommended filtre accessories art.
				2 pumps	Switchgear	
	Litres	Kg	Ø	Mod.	art.	
DSV 150 01	150	72	G1/2"	VTL 10/F - VTL 15/F - VTL 20/F	DS0 300 90	FB 30 / FC 30
DSV 150 03	150	72	G3/4"	VTL 25/FG - VTL 30/FG - VTL 35/FG	DS0 300 90	FB 30 / FC 30



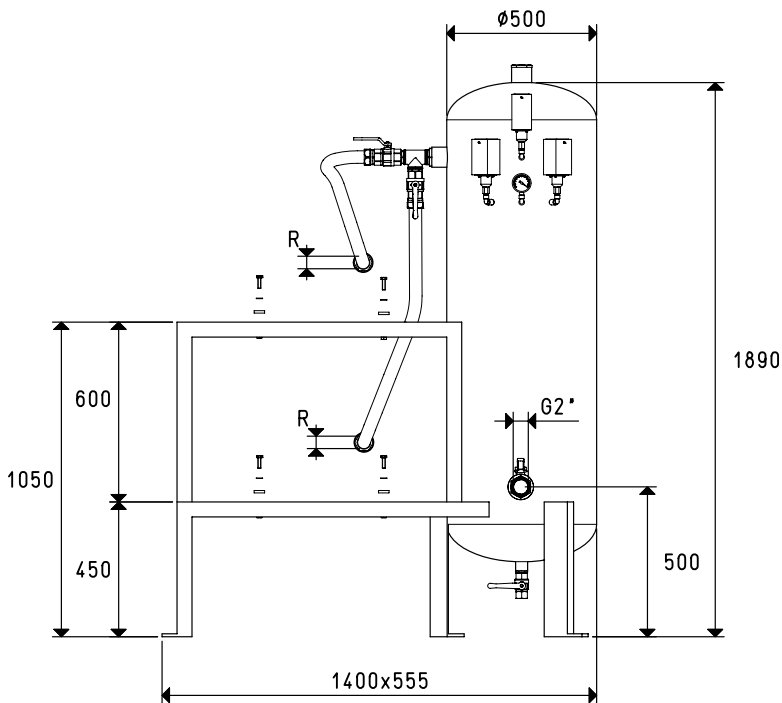
Art.	Tank	Weight	2 pumps	For:		Recommended filtre accessories art.
				Switchgear		
	Litres	Kg	Mod.	art.		
DSV 150 02	150	72	MV 20	DS0 300 90		FB 30 / FC 30

3D drawings available at www.vuototecnica.net

TANKS FOR VERTICAL SAFETY PUMPSETS WITH TWO PUMPS

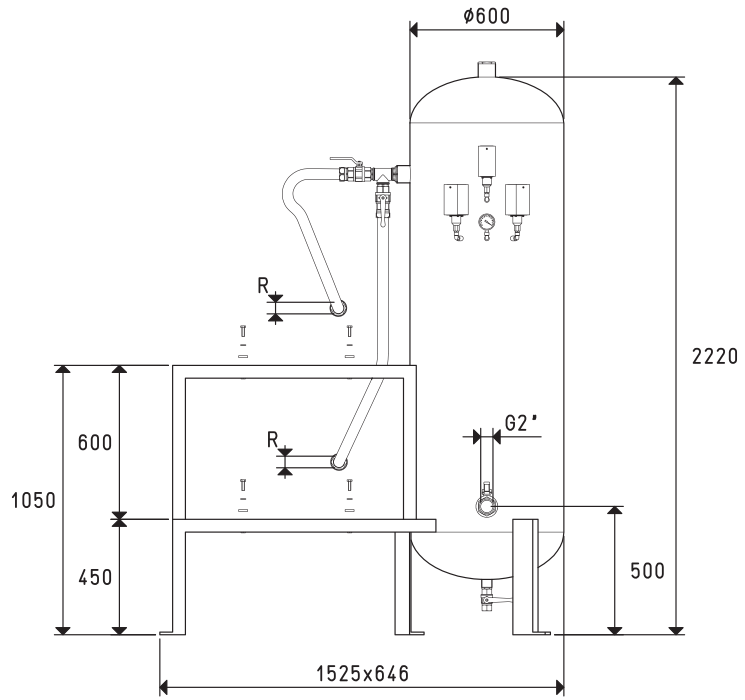


Art.	Tank	Weight	For:		Recommended filtre accessories art.
	Litres	Kg	2 pumps	Switchgear	
			Mod.	art.	
DSV 300 01	300	100	MV 40 - MV 60 - MV 100	DS0 300 90	FB 60 / FC 60

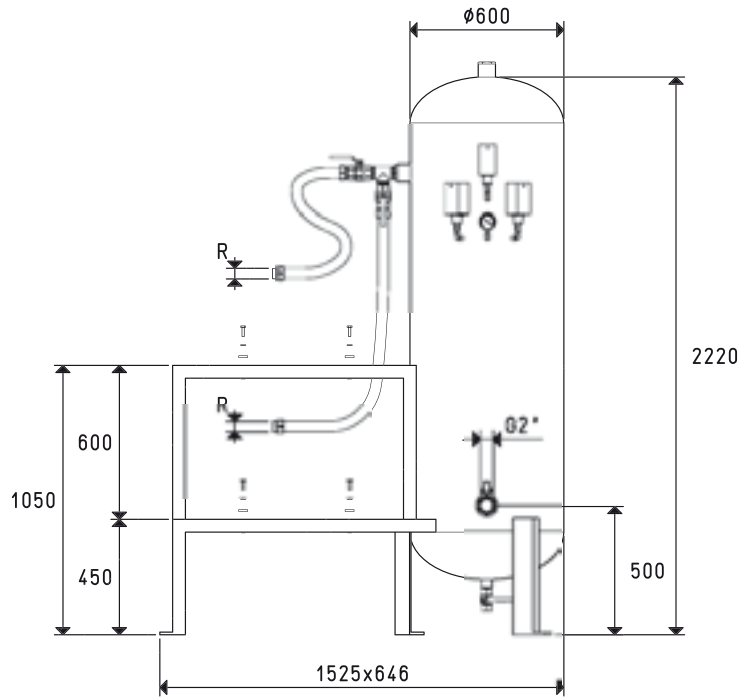


Art.	Tank	Weight	R	For:		Recommended filtre accessories art.
	Litres	Kg	Ø	2 pumps	Switchgear	
				Mod.	art.	
DSV 300 02	300	100	G1"	VTL 50/G1	DS0 300 90	FB 60 / FC 60
DSV 300 03	300	100	G1 1/4"	VTL 75/G1 - VTL 105/G1	DS0 300 90	FB 60 / FC 60

TANKS FOR VERTICAL SAFETY PUMPSETS WITH TWO PUMPS



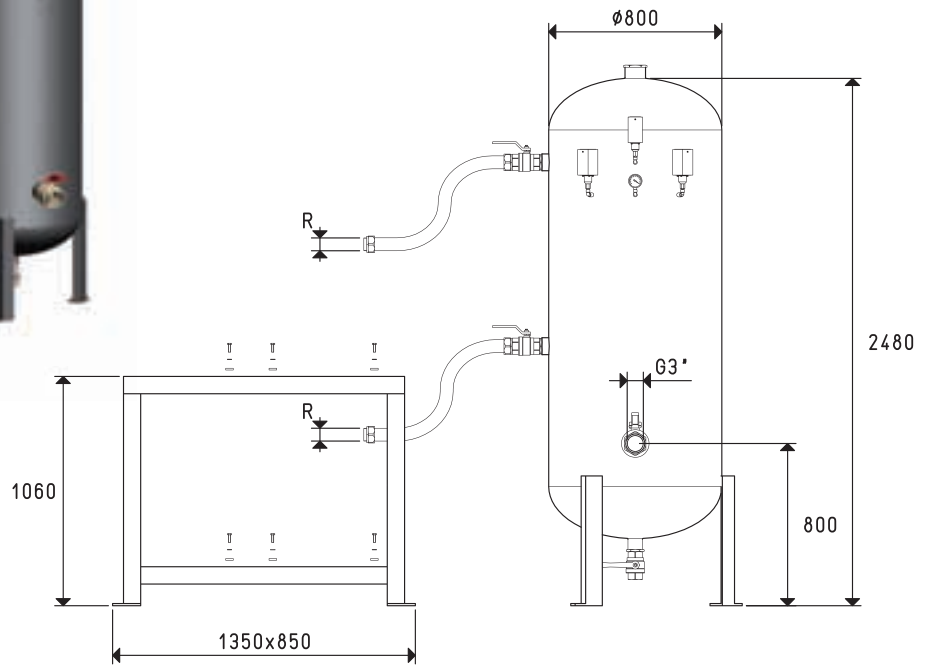
Art.	Tank	Weight	R	For:			Recommended filtre accessories art.
				2 pumps	Switchgear		
	Litres	Kg	Ø	Mod.	art.		
DSV 500 01	500	175	G1"1/4	VTL 75/G1	DSO 300 90	FB 60 / FC 60	
DSV 500 03	500	175	G1"1/2	VTL 105/G1	DSO 300 90	FB 60 / FC 60	



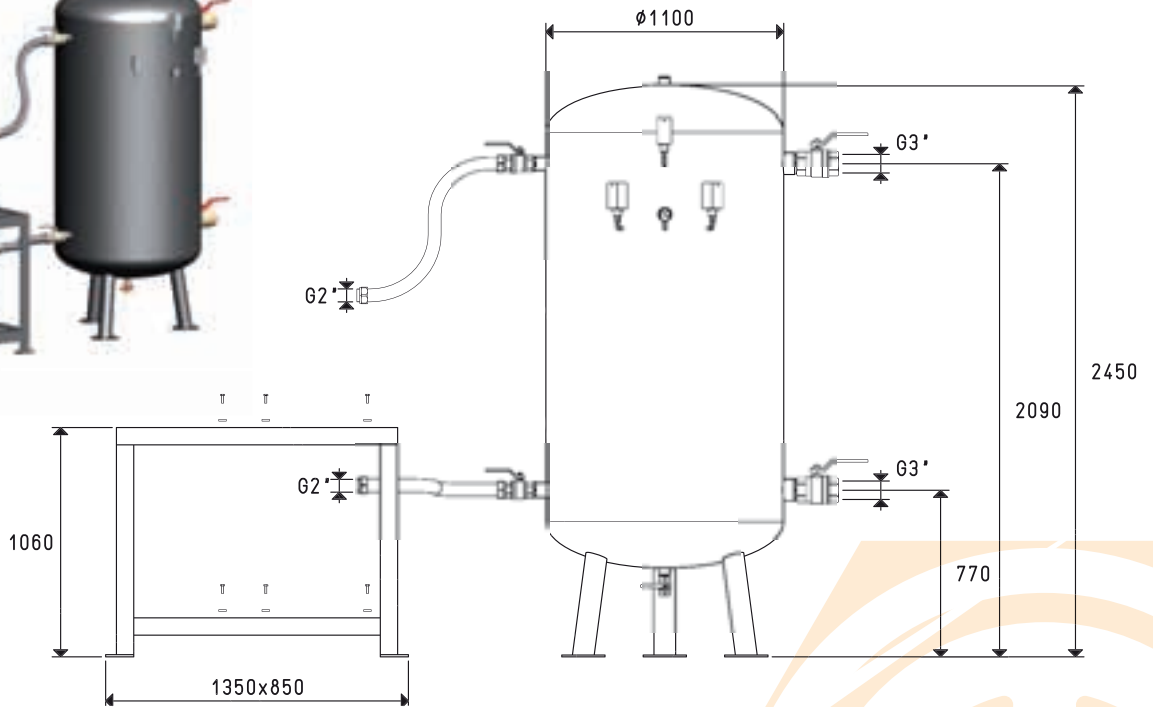
Art.	Tank	Weight	R	For:			Recommended filtre accessories art.
				2 pumps	Switchgear		
	Litres	Kg	Ø	Mod.	art.		
DSV 500 02	500	175	G1"1/4	MV 60 - MV 100	DSO 300 90	FB 60 / FC 60	
DSV 500 04	500	175	G1"1/2	MV 160R	DSO 300 90	FB 60 / FC 60	

3D drawings available at www.vuototecnica.net

TANKS FOR VERTICAL SAFETY PUMPSETS WITH TWO PUMPS



Art.	Tank	Weight	R	2 pumps	For:	Switchgear	Recommended
	Litres	Kg	Ø	Mod.		art.	filtré accessories art.
DSV 1000 01	1000	245	G1"1/2	MV 160R		DSO 300 90	FC 80
DSV 1000 02	1000	245	G2"	MV 200R - MV 300R		DSO 300 91	FC 80



Art.	Tank	Weight	2 pumps	For:	Switchgear	Recommended
	Litres	Kg	Mod.		art.	filtré accessories art.
DSV 2000 01	2000	582	MV 200R - MV 300R		DSO 300 91	FC 80

3D drawings available at www.vuototecnica.net