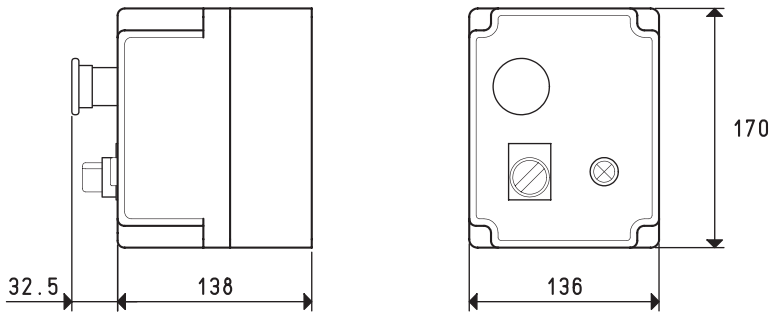


MINI PUMPSET SWITCHGEAR

The mini pumpset switchgear is enclosed in a special plastic casing and it can manage a vacuum pump with a maximum power of 1 KW with AC and 0.5 KW with DC as well as automatically maintain the vacuum level, set with the vacuum switch, in the tank.

It is equipped with a remote control switch with adjustable thermal protection, a transformer for low voltage auxiliary command power supply (with AC only), a line switch with indicator light and a deviator for the automatic or continuous pump operation.

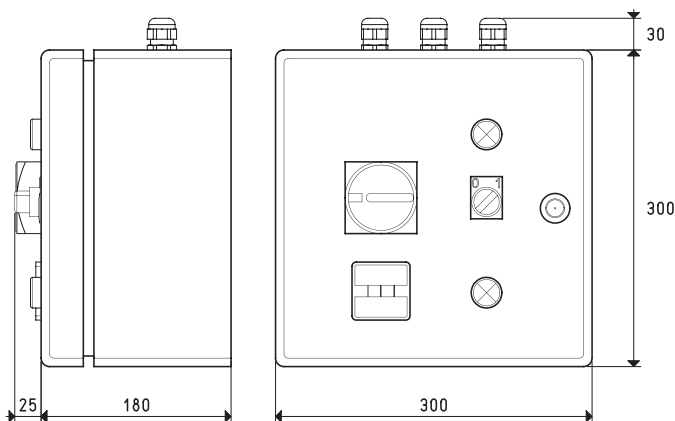


Art.	Number of pumps n°	Motor execution Volt	Pump max- power Kw	Weight Kg
DO 06 90	1	1 ~ 230-50Hz	1.0	2
DO 06 92	1	3 ~ 230/400-50Hz	1.0	2
DO 06 93	1	= 24-CC	0.5	2

SWITCHGEAR FOR PUMPSETS WITH ONE PUMP

The pumpset switchgear is enclosed in a special watertight metal casing and can manage a vacuum pump with a power up to 3 KW, or from 4 to 7.5 KW and it automatically maintains the vacuum level, set with the vacuum switch, in the tank. It is equipped with fuses, remote control switch with thermal protection, a transformer for low voltage auxiliary command power supply, a line switch with indicator light, a change-over switch for the automatic or continuous pump operation and an hour-counter for measuring the actual pump operation time.

7



Art.	Number of pumps n°	Motor execution Volt	Pump max. power Kw	Weight Kg
DO 100 89	1	1 ~ 230-50Hz	1.0	8
DO 100 90	1	3 ~ 230/400-50Hz	3.0	8
DO 100 91	1	3 ~ 230/400-50Hz	7.5	8

Conversion ratio: inch = $\frac{\text{mm}}{25.4}$; pounds = $\frac{\text{g}}{453.6} = \frac{\text{Kg}}{0.4536}$