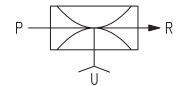
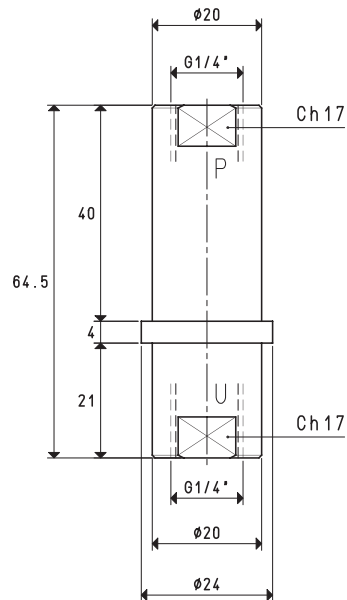


## IN-LINE SINGLE-STAGE VACUUM GENERATORS PVP 1

This new range of vacuum generators also exploits the Venturi principle. Their distinctive feature compared with traditional vacuum generators are the two air and vacuum supply connections located in-line, while the exhaust connection of the sucked and exhaust air is orthogonal to them and it is located on the on the generator circumference.

These vacuum generators are easy to disassemble, thus allowing visibility and access to all the components. The advantages of these generators include reduced overall dimensions, easy maintenance and easy assembly to the vacuum cup supports or to the vacuum cup holders. As a standard, they are equipped with pressed stainless steel suction filtre and a special microfibre silencer, which is wrapped around the exhaust connection, making them particularly silent. They are fully made with anodised aluminium.



P=COMPRESSED AIR CONNECTION

R=EXHAUST

U=VACUUM CONNECTION

Art.	PVP 1			
Quantity of sucked air	cum/h	0.9	1.0	1.0
Max. vacuum level	-kPa	60	80	85
Final pressure	mbar abs.	400	200	150
Supply pressure	bar (g)	3	4	5
Air consumption	l/s	0.5	0.6	0.8
Working temperature	°C	-20 / +80		
Noise level	dB(A)	62		
Weight	g	44		
<b>Spare parts</b>				
Silencer	art.			00 15 114
Suction filtre	art.			SP 1/4 I

**Note:** All the vacuum data indicated in the table are valid at the normal atmospheric pressure of 1013 mbar and are obtained with a constant supply pressure.