

SINGLE-STAGE VACUUM GENERATORS PVP 7 X

Vacuum generators PVP 7 X also exploit the Venturi principle. Their distinctive feature compared to PVP 2 and PVP 3 is their greater suction capacity, thanks to the association of two ejectors in parallel.

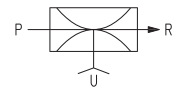
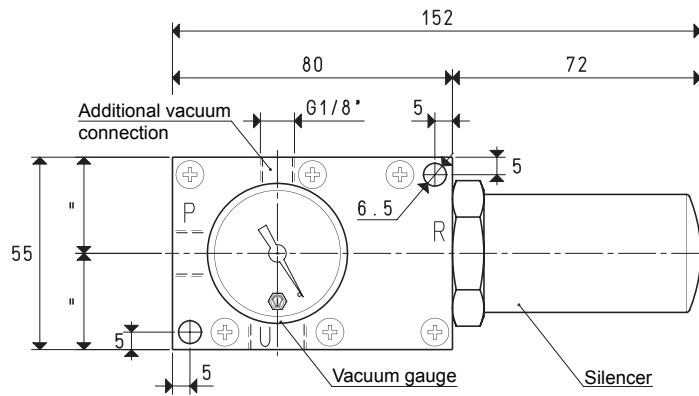
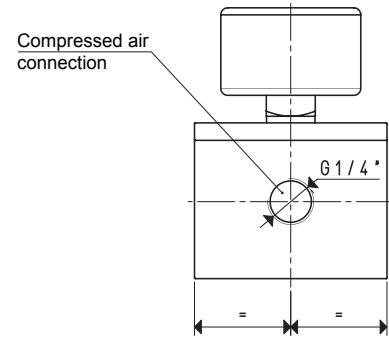
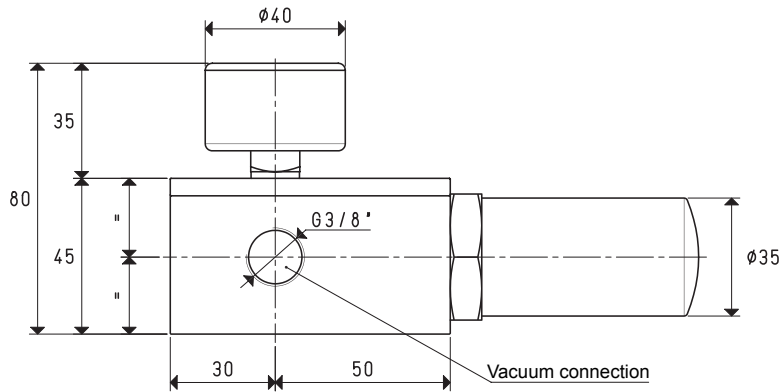
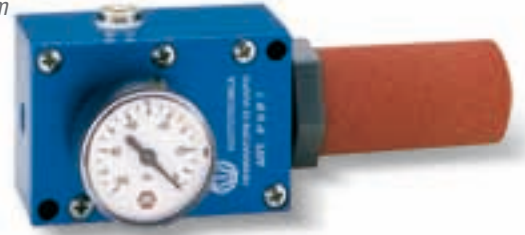
A special silencer made with sintered ceramic is installed on their exhaust, making them particularly silent.

As a standard, they are equipped with a vacuum gauge for a direct reading of the vacuum level.

An additional connection on the body of the generator allows the installation of a mini vacuum switch for signalling the vacuum level, or of a pneumatic solenoid valve for a quick restoration of the atmospheric pressure at the service.

They are fully made with anodised aluminium, with stainless steel ejectors.

These vacuum generators can be used for connecting one or more vacuum cups or equipment with capacity requirements within the shown values.



P=COMPRESSED AIR CONNECTION R=EXHAUST U=VACUUM CONNECTION

Art.	PVP 7 X			
Quantity of sucked air	cum/h	8.5	8.8	8.9
Max. vacuum level	-kPa	60	73	85
Final pressure	mbar abs.	400	270	150
Supply pressure	bar (g)	4	5	6
Air consumption	NI/s	2.3	2.8	3.2
Working temperature	°C	-20 / +80		
Noise level	dB(A)	63		
Weight	g	470		
Spare parts				
Sealing kit	art.	00 15 276		
Vacuum gauge	art.	09 03 15		
Silencer	art.	00 15 55		

Note: All the vacuum data indicated in the table are valid at the normal atmospheric pressure of 1013 mbar and are obtained with a constant supply pressure.

3D drawings available at www.vuototecnica.net