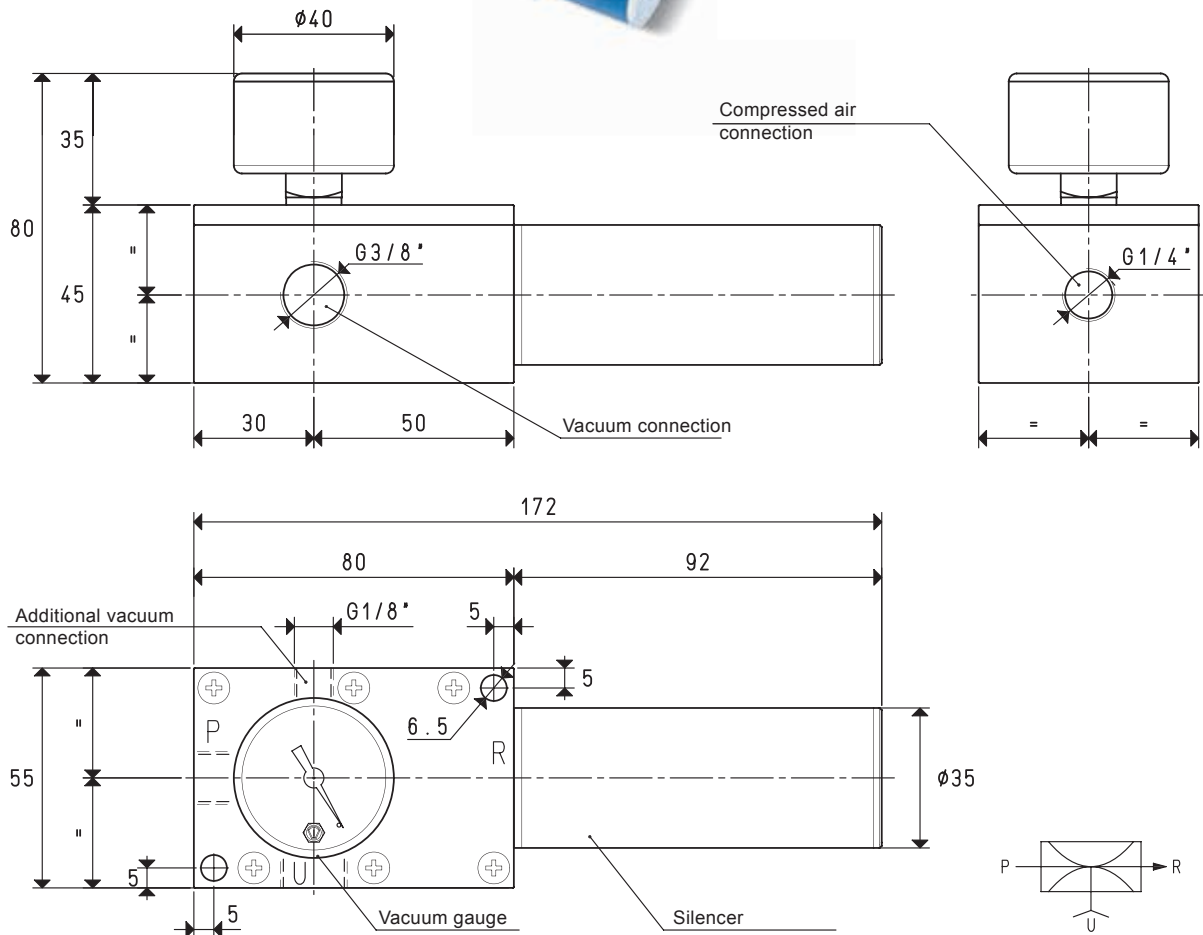


## SINGLE-STAGE VACUUM GENERATORS PVP7-14-18 SX



Vacuum generators PVP 7X share the same mechanical and technical features as the previously described ones. Their distinctive feature is a state of the art silencer installed on them and made with natural fibre sound absorbing material contained in a special cylindrical anodised aluminium enclosure open on the exhaust.

This prevents the silencer from being clogged and allows the vacuum generator to suck oil or water condensation saturated fluids mixed with fine and impalpable dust. They can be used as PVP 7X and, in addition, they can also operate in humid or dusty environments. They are available with capacities of 7, 14 e 18 cum/h.



Art.		P=COMPRESSED AIR CONNECTION			R=EXHAUST			U=VACUUM CONNECTION		
		PVP7 SX	PVP14 SX	PVP18 SX	PVP7 SX	PVP14 SX	PVP18 SX	PVP7 SX	PVP14 SX	PVP18 SX
Quantity of sucked air	cum/h	8.5	8.8	8.9	13.5	13.7	14.0	17.5	17.8	18.0
Max. vacuum level	-kPa	60	73	85	60	73	85	60	73	85
Final pressure	mbar ass.	400	270	150	430	270	160	430	270	160
Supply pressure	bar	4	5	6	4	5	6	4	5	6
Air consumption	NI/s	2.3	2.8	3.2	3.4	4.1	4.8	4.7	5.6	6.5
Working temperature	°C			-20 / +80			-20 / +80			-20 / +80
Noise level	dB(A)			63			65			67
Weight	g			470			480			490
Spare parts										
Sealing kit	art.			00 15 276			00 15 276			00 15 276
Vacuum gauge	art.			09 03 15			09 03 15			09 03 15
Silencer	art.			SSX 3/4 R			SSX 3/4 R			SSX 3/4 R

**Note:** All the vacuum data indicated in the table are valid at the normal atmospheric pressure of 1013 mbar and are obtained with a constant supply pressure.

Conversion ratio: inch =  $\frac{\text{mm}}{25.4}$ ; pounds =  $\frac{\text{g}}{453.6}$  =  $\frac{\text{Kg}}{0.4536}$

GAS-NPT thread adapters available at page 1.117