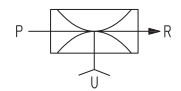
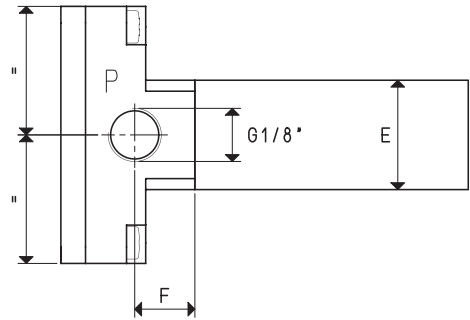
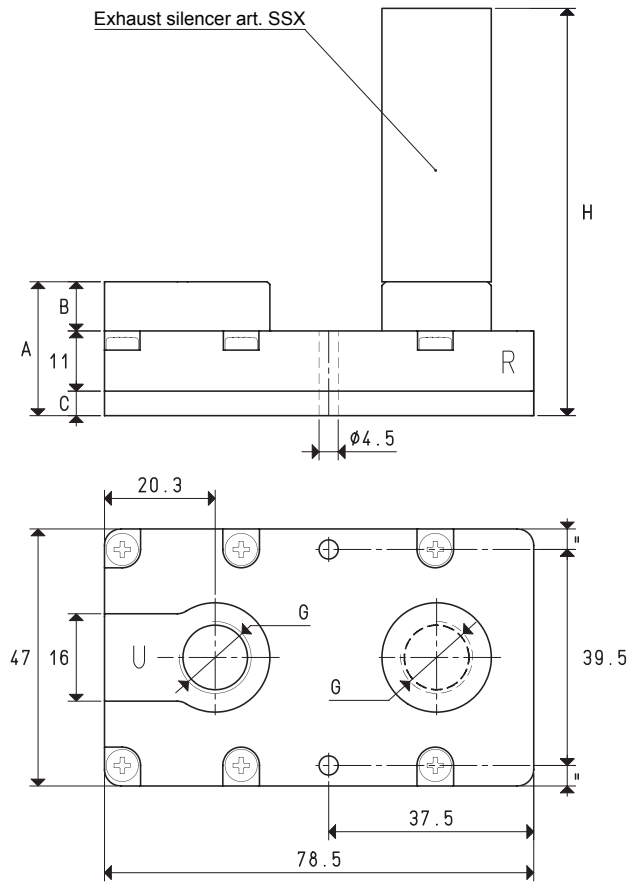


# MULTI-STAGE VACUUM GENERATORS SERIES M.. SSX

These vacuum generators share the same technical features as the others of the M series described above. Their distinctive feature is their silent operation.

In fact, along with the built-in silencer, they also have an external SSX silencer for a further noise reduction.

These generators are particularly recommended in work environments where the noise level must be kept within very low values.



P=COMPRESSED AIR CONNECTION    R=EXHAUST    U=VACUUM CONNECTION

Art.				M 3 SSX			M 7 SSX
Quantity of sucked air	cum/h	3.0	3.4	3.6	5.4	5.8	6.2
Max. vacuum level	-KPa	62	82	85	62	82	85
Final pressure	mbar abs.	380	180	150	380	180	150
Supply pressure	bar (g)	3	4	5	3	4	5
Air consumption	NI/s	0.5	0.7	0.8	0.8	1.2	1.4
Working temperature	°C			-10 / +80			-10 / +80
Noise level	dB(A)			52			58
Weight	g			109			111
A				24.5			25.5
B				9			10
C				4.5			4.5
E	Ø			20			29
F				11			12
G	Ø			G1/4"			G3/8"
H				74.5			97.5
Spare parts							
Silencer	art.			SSX 1/4"			SSX 3/8"
Sealing kit and reed valve	art.			00 KIT M 3			00 KIT M 7

**Note:** All the vacuum data indicated in the table are valid at the normal atmospheric pressure of 1013 mbar and are obtained with a constant supply pressure.

Conversion ratio: inch =  $\frac{mm}{25.4}$ ; pounds =  $\frac{g}{453.6}$  =  $\frac{Kg}{0.4536}$

GAS-NPT thread adapters available at page 1.117