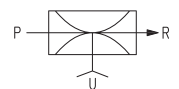
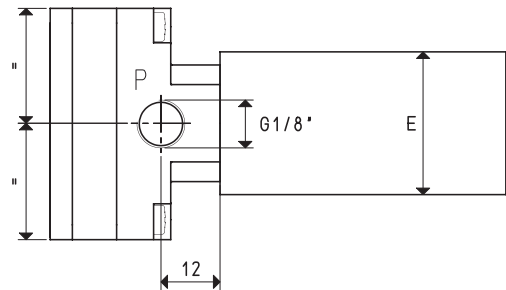
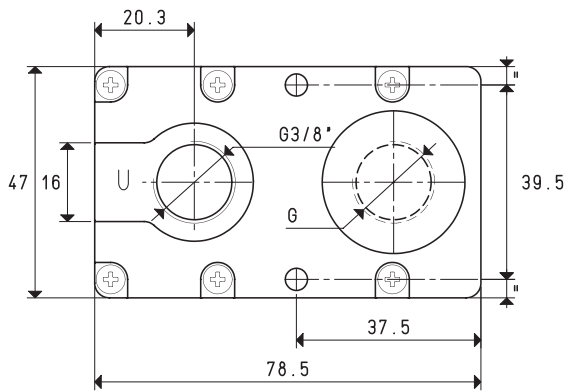
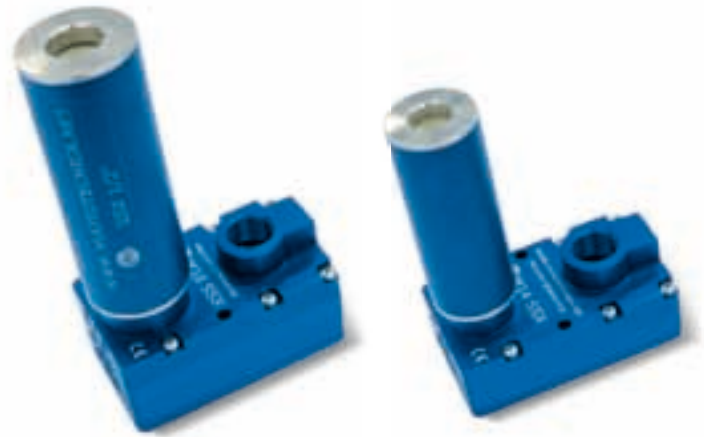
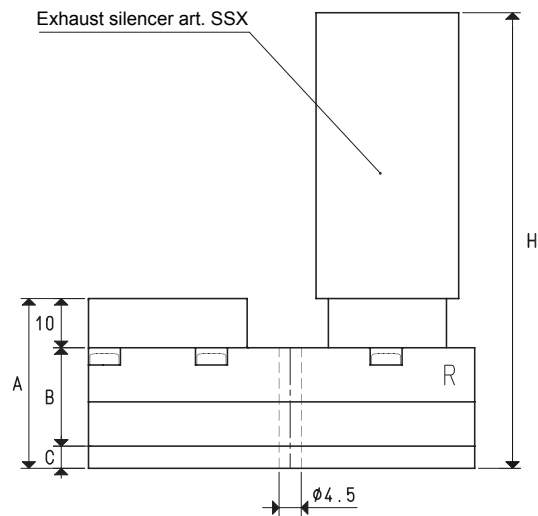


# MULTI-STAGE VACUUM GENERATORS M 10 SSX, M 14 SSX and M 18 SSX



		P=COMPRESSED AIR CONNECTION		R=EXHAUST		U=VACUUM CONNECTION				
Art.		M 10 SSX		M 14 SSX		M 18 SSX				
Quantity of sucked air	cum/h	7.7	8.5	9.4	10.2	11.5	12.6	14.8	16.5	18.0
Max. vacuum level	-kPa	62	82	85	62	82	85	62	82	85
Final pressure	mbar abs.	380	180	150	380	180	150	380	180	150
Supply pressure	bar (g)	3	4	5	3	4	5	3	4	5
Air consumption	NI/s	1.2	1.6	1.9	1.7	2.1	2.5	2.3	2.9	3.6
Working temperature	°C			-10 / +80			-10 / +80			-10 / +80
Noise level	dB(A)			60			62			66
Weight	g			144			145			150
A				34.5			34.5			44.5
B				20			20			30
C				4.5			4.5			4.5
E	Ø			29			29			35
G	Ø			G3/8"			G3/8"			G1/2"
H				106.5			106.5			136.5
Spare parts										
Silencer	art.			SSX 3/8"			SSX 3/8"			SSX 1/2"
Sealing kit and reed valve	art.			00 KIT M 10			00 KIT M 14			00 KIT M 18

**Note:** All the vacuum data indicated in the table are valid at the normal atmospheric pressure of 1013 mbar and are obtained with a constant supply pressure.

Conversion ratio: inch =  $\frac{mm}{25.4}$ ; pounds =  $\frac{g}{453.6}$  =  $\frac{Kg}{0.4536}$

GAS-NPT thread adapters available at page 1.117