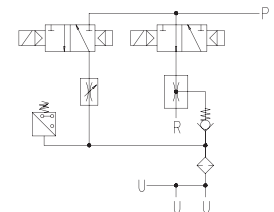
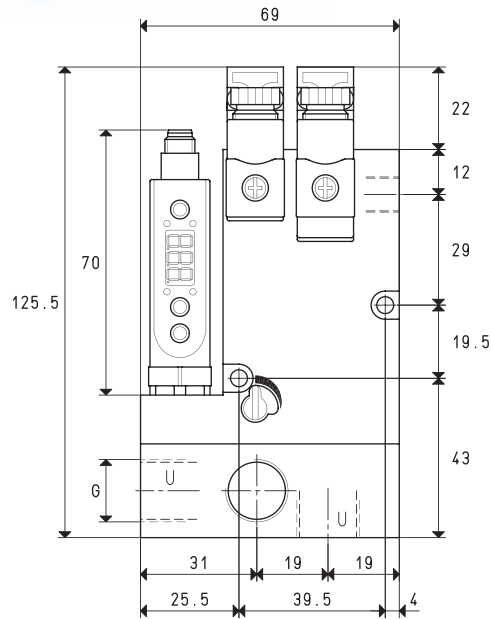
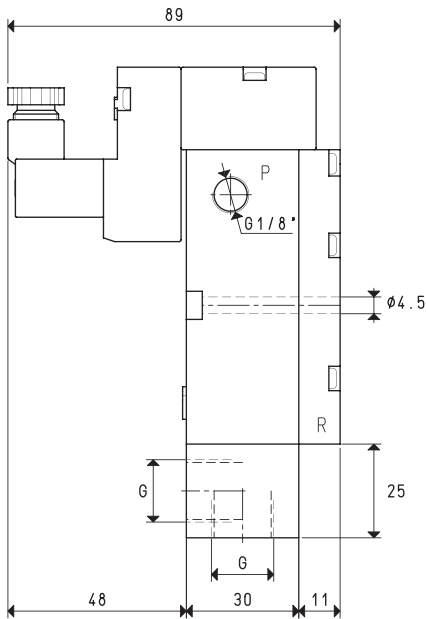


# MULTI-STAGE AND MULTI-FUNCTION VACUUM GENERATORS MVG 3 and MVG 7



P=COMPRESSED AIR CONNECTION

R=EXHAUST

U=VACUUM CONNECTION

Art.				MVG 3		MVG 7	
Quantity of sucked air	cum/h	2.8	3.0	3.2	5.6	6.0	6.6
Max. vacuum level	-KPa	50	70	85	50	70	85
Final pressure	mbar abs.	500	300	150	500	300	150
Supply pressure	bar (g)	3	4	5	3	4	5
Air consumption	l/s	0.5	0.6	0.8	0.8	1.0	1.3
Max. quantity of blown air at 5 bar	l/min			205			205
Supply solenoid valve position	NO/NC			NO			NO
Ejection solenoid valve position	NC			NC			NC
Supply voltage	V			24 DC			24 DC
Electric absorption	W			2 x 2			2 x 2
Vacuum switch output				PNP			PNP
Class of protection	IP			65			65
Working temperature	°C			-10 / +60			-10 / +60
Noise level	dB(A)			66			70
Weight	Kg			0.666			0.670
G	Ø			G1/4"			G3/8"

**Note:** To order the generator: with supply solenoid valve NC, please indicate the code MVG .. NC;  
 without the digital vacuum switch, please indicate the code MVG .. SV;  
 without the ejection solenoid valve, please indicate the code MVG .. SC.

**Note:** All the vacuum data indicated in the table are valid at the normal atmospheric pressure of 1013 mbar and are obtained with a constant supply pressure.

Conversion ratio: inch =  $\frac{\text{mm}}{25.4}$ ; pounds =  $\frac{\text{g}}{453.6}$  =  $\frac{\text{Kg}}{0.4536}$

GAS-NPT thread adapters available at page 1.117