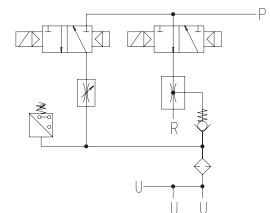
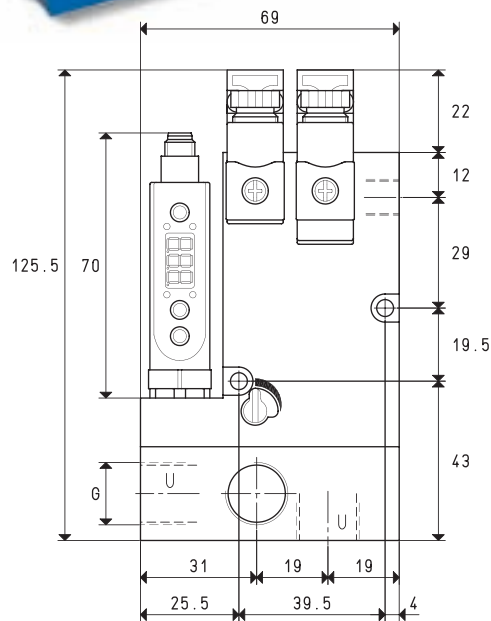
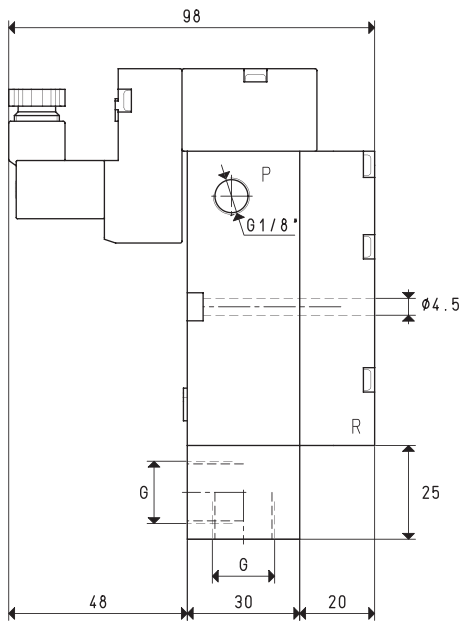


MULTI-STAGE AND MULTI-FUNCTION VACUUM GENERATORS MVG 10 and MVG 14



P=COMPRESSED AIR CONNECTION

R=EXHAUST

U=VACUUM CONNECTION

Art.				MVG 10		MVG 14	
Quantity of sucked air	cum/h	7.7	8.4	9.2	10.2	11.2	12.2
Max. vacuum level	-KPa	50	70	85	50	70	85
Final pressure	mbar abs.	500	300	150	500	300	150
Supply pressure	bar (g)	3	4	5	3	4	5
Air consumption	l/s	0.9	1.3	1.7	1.3	1.7	2.1
Max. quantity of blown air at 5 bar (g)	l/min			205		205	
Supply solenoid valve position	NO/NC			NO		NO	
Ejection solenoid valve position	NC			NC		NC	
Supply voltage	V			24 DC		24 DC	
Electric absorption	W			1.4 x 2		1.4 x 2	
Vacuum switch output				PNP		PNP	
Class of protection	IP			65		65	
Working temperature	°C			-10 / +60		-10 / +60	
Noise level	dB(A)			62		70	
Weight	Kg			0.716		0.720	
G	Ø			G3/8"		G3/8"	

Note: To order the generator: with supply solenoid valve NC, please indicate the code MVG .. NC;
 without the digital vacuum switch, please indicate the code MVG .. SV;
 without the ejection solenoid valve, please indicate the code MVG .. SC.

Note: All the vacuum data indicated in the table are valid at the normal atmospheric pressure of 1013 mbar and are obtained with a constant supply pressure.

Conversion ratio: inch = $\frac{\text{mm}}{25.4}$; pounds = $\frac{\text{g}}{453.6}$ = $\frac{\text{Kg}}{0.4536}$

GAS-NPT thread adapters available at page 1.117