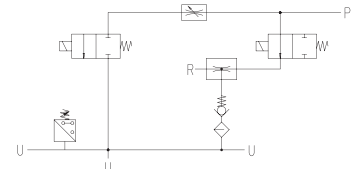
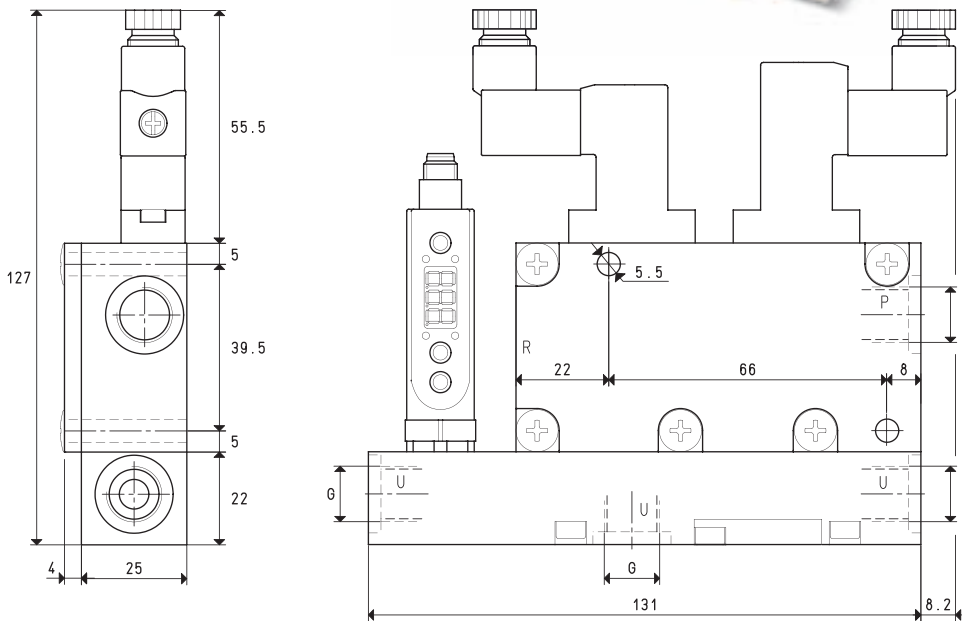


MODULAR MULTI-STAGE AND MULTI-FUNCTION VACUUM GENERATORS GVMM 10 and GVMM 14



P=COMPRESSED AIR CONNECTION

R=EXHAUST

U=VACUUM CONNECTION

Art.		GVMM 10						GVMM 14
Quantity of sucked air	cum/h	7.5	8.3	9.1	10.1	11.1	12.1	
Max. vacuum level	-KPa	60	80	85	60	80	85	
Final pressure	mbar abs.	400	200	150	400	200	150	
Supply pressure	bar (g)	3	4	5	3	4	5	
Air consumption	NI/s	1.1	1.4	1.7	1.4	1.7	2.1	
Max. quantity of blown air at 5 bar (g)	l/min			128			128	
Supply solenoid valve position	NO/NC			NO			NO	
Electric absorption	W			2			2	
Ejection solenoid valve position	NC			NC			NC	
Electric absorption	W			4			4	
Supply voltage	V			24DC			24DC	
Vacuum switch output				PNP			PNP	
Class of protection	IP			65			65	
Working temperature	°C			-10 / +60			-10 / +60	
Noise level	dB(A)			70			72	
Weight	g			460			460	
G	Ø			G1/4"			G1/4"	

Note: To order the generator: with supply solenoid valve NC, please indicate the code GVMM .. NC;
without the digital vacuum switch, please indicate the code GVMM .. SV.

Note: All the vacuum data indicated in the table are valid at the normal atmospheric pressure of 1013 mbar and are obtained with a constant supply pressure.

Conversion ratio: inch = $\frac{\text{mm}}{25.4}$; pounds = $\frac{\text{g}}{453.6} = \frac{\text{Kg}}{0.4536}$

GAS-NPT thread adapters available at page 1.117