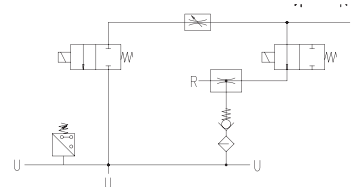
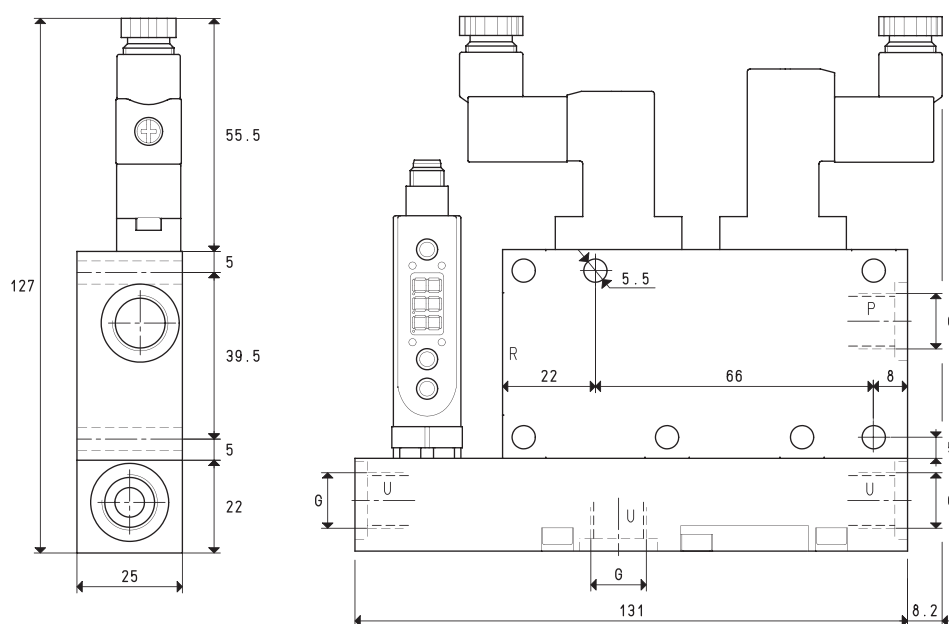


INTERMEDIATE VACUUM MODULES MI 10 and MI 14



P=COMPRESSED AIR CONNECTION R=EXHAUST U=VACUUM CONNECTION

Art.		MI 10			MI 14		
Quantity of sucked air	cum/h	7.5	8.3	9.1	10.1	11.1	12.1
Max. vacuum level	-kPa	60	80	85	60	80	85
Final pressure	mbar abs.	400	200	150	400	200	150
Supply pressure	bar (g)	3	4	5	3	4	5
Air consumption	NI/s	1.1	1.4	1.7	1.4	1.7	2.1
Max. quantity of blown air at 5 bar (g)	l/min			128			128
Supply solenoid valve position	NO/NC			NO			NO
Electric absorption	W			2			2
Ejection solenoid valve position	NC			NC			NC
Electric absorption	W			4			4
Supply voltage	V			24DC			24DC
Vacuum switch output				PNP			PNP
Class of protection	IP			65			65
Working temperature	°C			-10 / +60			-10 / +60
Noise level	dB(A)			70			72
Weight	g			410			410
G	Ø			G1/4"			G1/4"

Note: To order the generator: with supply solenoid valve NC, please indicate the code MI .. NC;
without the digital vacuum switch, please indicate the code MI .. SV.

Note: All the vacuum data indicated in the table are valid at the normal atmospheric pressure of 1013 mbar and are obtained with a constant supply pressure.