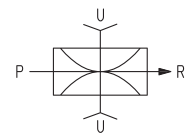
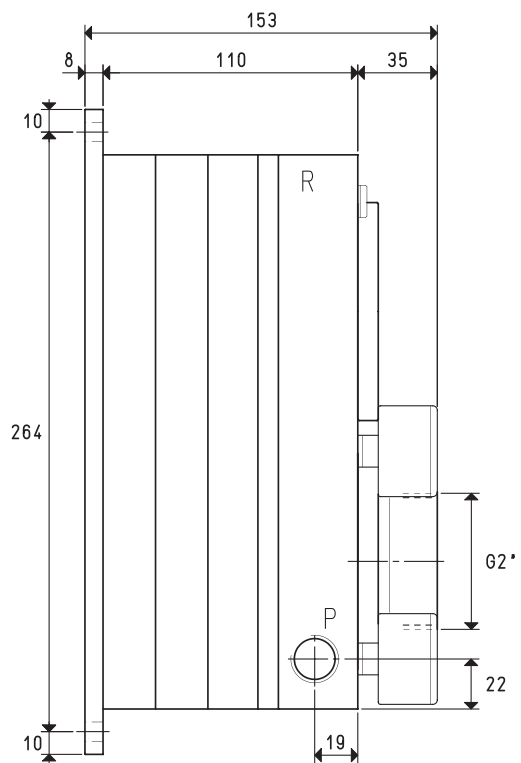
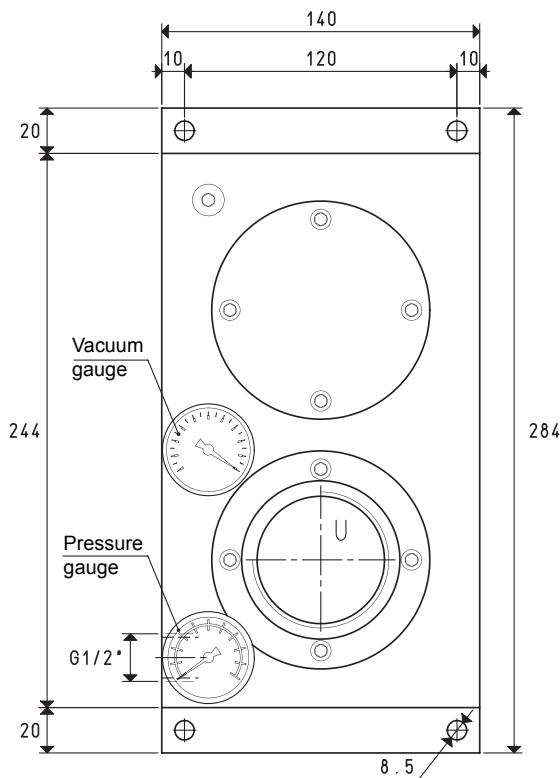


# MULTI-STAGE VACUUM GENERATORS PVP 250 M and 300 M



P=COMPRESSED AIR CONNECTION

R=EXHAUST

U=VACUUM CONNECTION

Art.				PVP 250 M		PVP 300 M	
Max. quantity of sucked air	cum/h	224	252	280	240	290	320
Max. vacuum level	-kPa	65	82	90	65	82	90
Final pressure	mbar abs.	350	180	100	350	180	100
Supply pressure	bar (g)	4	5	6	4	5	6
Air consumption	NI/s	17.3	20.7	24.0	20.4	24.8	29.0
Working temperature	°C			-20 / +80			-20 / +80
Noise level	dB(A)			72			74
Weight	Kg			6.0			6.0
Spare parts							
Sealing kit e disc valves	art.			00 KIT PVP 250 M			00 KIT PVP 300 M
Vacuum gauge	art.			09 03 15			09 03 15
Pressure gauge	art.			09 03 25			09 03 25

**Note:** All the vacuum data indicated in the table are valid at the normal atmospheric pressure of 1013 mbar and are obtained with a constant supply pressure.

By adding the letter R to the article, the generator will be supplied with a built-in check valve (E.g.: PVP 250 MR).

3D drawing available at [www.vuototecnica.net](http://www.vuototecnica.net)