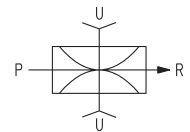
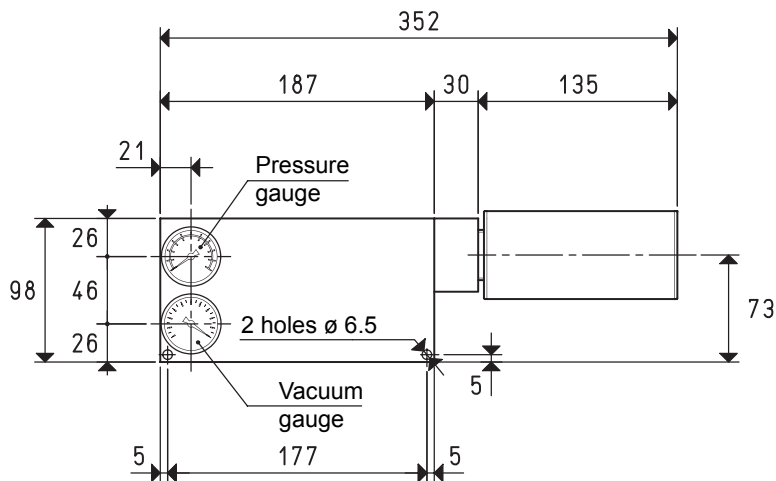
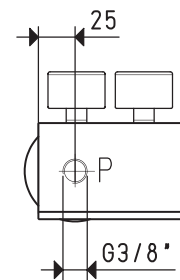
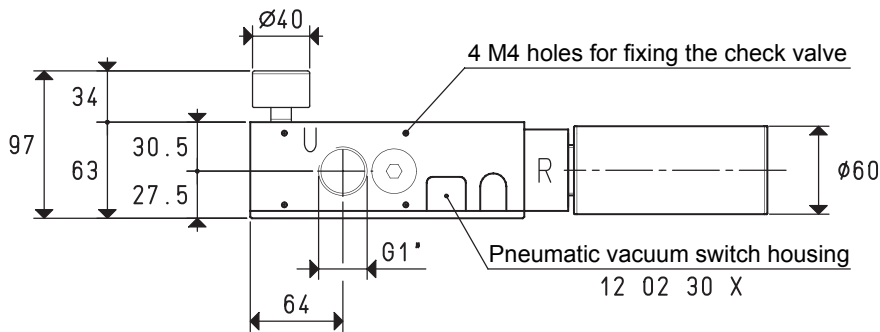


# MULTI-STAGE VACUUM GENERATORS PVP 60 MDX and 75 MDX



P=COMPRESSED AIR CONNECTION R=EXHAUST U=VACUUM CONNECTION

Art.		PVP 60 MDX				PVP 75 MDX	
Max. quantity of sucked air	cum/h	75	85	92	85	94	103
Max. vacuum level	-KPa	65	82	90	65	82	90
Final pressure	mbar abs.	350	180	100	350	180	100
Supply pressure	bar (g)	4	5	6	4	5	6
Air consumption	NI/s	5.9	7.0	8.2	7.0	8.4	9.8
Working temperature	$^\circ\text{C}$			-20 / +80			-20 / 80
Noise level	dB(A)			62			64
Weight	Kg			1.90			1.92
Spare parts							
Sealing kit and reed valve	art.			00 KIT PVP 60 MDX			00 KIT PVP 75 MDX
Vacuum gauge	art.			09 03 15			09 03 15
Pressure gauge	art.			09 03 25			09 03 25
Silencer	art.			SSX 1"			SSX 1"

**Note:** All the vacuum data indicated in the table are valid at the normal atmospheric pressure of 1013 mbar and are obtained with a constant supply pressure.