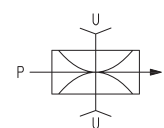
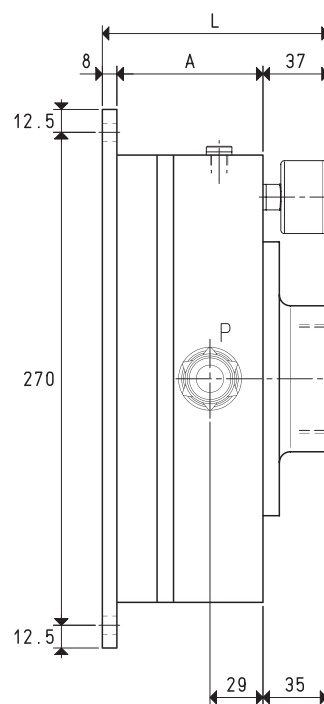
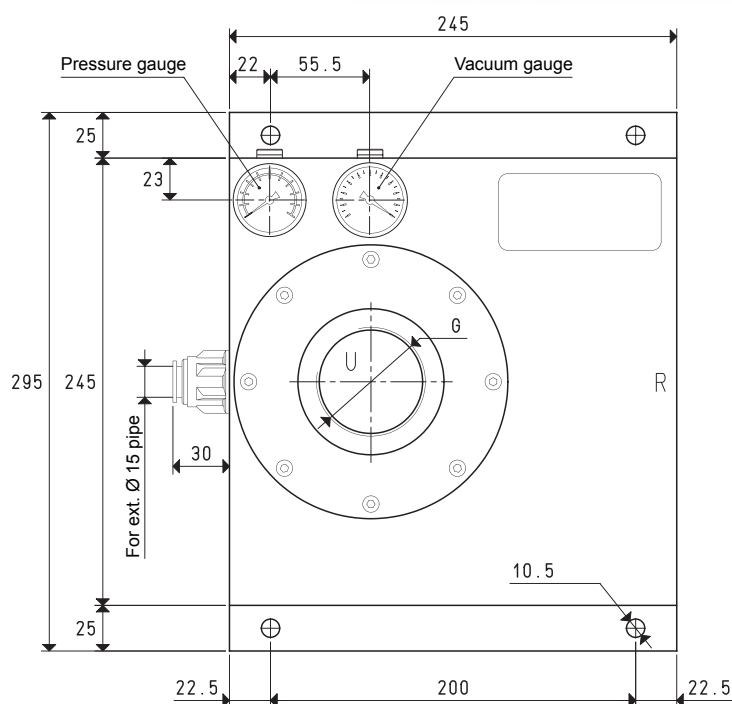


MODULAR MULTI-STAGE VACUUM GENERATORS PVP 150 MD and 300 MD



P=COMPRESSED AIR CONNECTION R=EXHAUST U=VACUUM CONNECTION

Art.				PVP 150 MD			PVP 300 MD
Max. quantity of sucked air	cum/h	160	180	200	320	360	400
Max. vacuum level	-kPa	65	82	90	65	82	90
Final pressure	mbar abs.	350	180	100	350	180	100
Supply pressure	bar (g)	4	5	6	4	5	6
Air consumption	NI/s	12.1	14.2	16.0	23.2	27.8	32.0
Working temperature	°C			-20 / +80			-20 / +80
Noise level	dB(A)			72			74
Weight	Kg			7.8			8.8
A				80			100
G	∅			G1" 1/2			G2"
L				125			145
Spare parts							
Sealing kit e disc valves	art.			00 KIT PVP 150 MD			00 KIT PVP 300 MD
Vacuum gauge	art.			09 03 15			09 03 15
Pressure gauge	art.			09 03 25			09 03 25

Note: All the vacuum data indicated in the table are valid at the normal atmospheric pressure of 1013 mbar and are obtained with a constant supply pressure.

By adding the letter R to the article, the generator will be supplied with a built-in check valve (E.g.: PVP 300 MDR).