

PNEUMATIC MINI PUMPSET AND PUMPSET COMPONENTS

Mini pneumatic pumpset tanks DOP 06 and 10

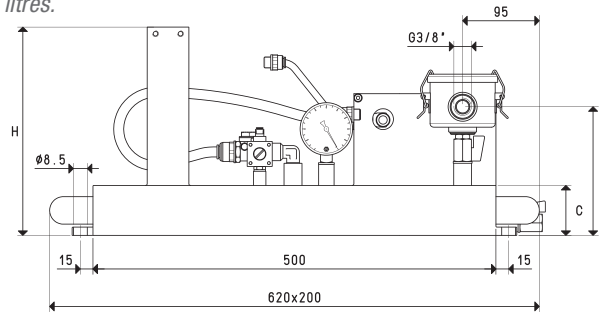
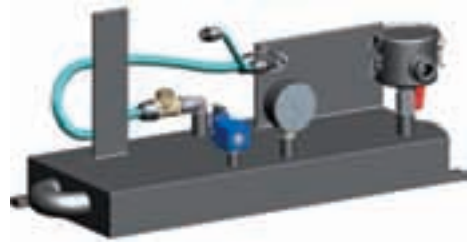
Mini pneumatic pumpset tanks are horizontal with a rectangular section. They are made with welded sheet steel, a perfect vacuum seal, and varnished with special paints resistant to water condensation corrosion.

They are set for the installation of a vacuum generator to be chosen in the table and a pneumatic device.

They are equipped with:

- A pneumatic vacuum switch for adjusting the maximum vacuum level.
- Un vacuum gauge for a direct reading of the vacuum level in the tank.
- A check valve suitable for the generator connection.
- A manual valve for vacuum interception.
- A suction filtre with an FC paper cartridge.
- A cock for condensation drainage.
- Hoses, fittings and screws for connecting and fixing the generator to the tank.

Available with volumes of 6 and 10 litres.



Art.	Tank Litres	Weight Kg	C	E	H	Set for:	
						Generator art.	Pneumatic device art.
DOP 06 01	6	11.4	60	150	250	PVP 12 MX	DOP 06 90
						PVP 25 MX	
DOP 10 01	10	11.6	100	210	290	PVP 12 MX	DOP 06 90
						PVP 25 MX	

Mini pneumatic pumpset tanks DOP 20

Mini pneumatic pumpset tanks are horizontal with a rectangular section.

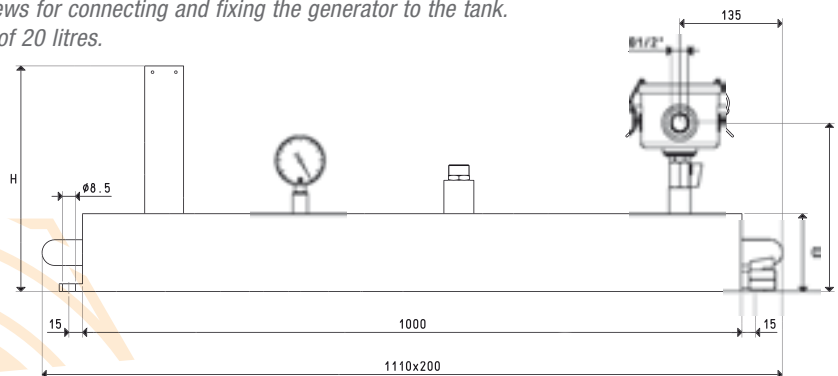
They are made with welded sheet steel, a perfect vacuum seal, and varnished with special paints resistant to water condensation corrosion.

They are set for the installation of a pneumatic device and a PVP .. MDX ES generator to be chosen in the table which are provided with built-in servo-controlled supply slide valve, check valve and pneumatic vacuum switch.

They are equipped with:

- Un vacuum gauge for a direct reading of the vacuum level in the tank.
- A manual valve for vacuum interception.
- A suction filtre with an FC paper cartridge.
- A cock for condensation drainage.
- Hoses, fittings and screws for connecting and fixing the generator to the tank.

Available with a volume of 20 litres.



Art.	Tank Litres	Weight Kg	C	E	H	Set for:	
						Generator art.	Pneumatic device art.
DOP 20 01	20	18.2	100	225	290	PVP 25 MDX ES	DOP 20 90
						PVP 35 MDX ES	