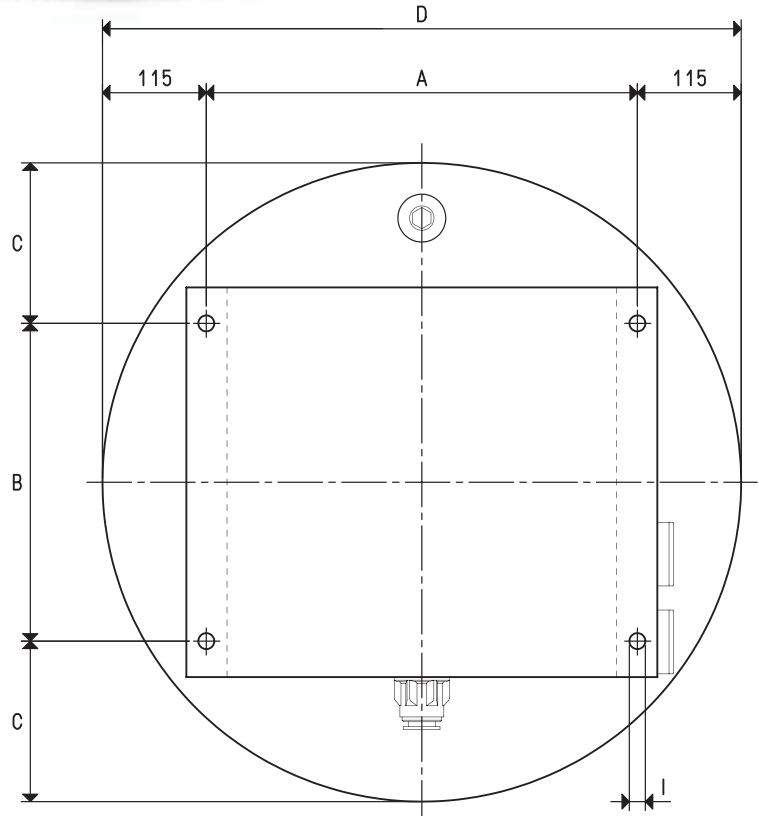
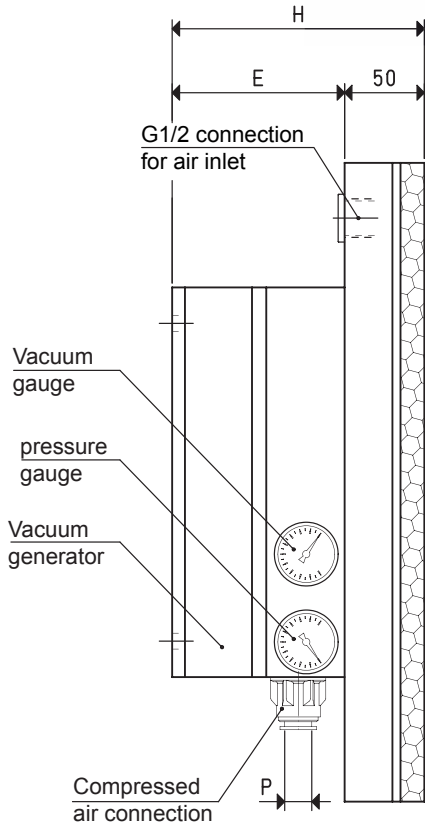


OCTOPUS GRIPPING SYSTEM



Art.		SO DO 35 X	SO DO 50 X
Suction plate	art.	PX DO 35	PX DO 50
Gripping force	Kg	65.4	139.6
Vacuum generator	art.	PVP 170 M	PVP 300 MD
Max. supply pressure	bar (g)	6	6
Max. vacuum level	-KPa	90	90
Air consumption at 6 bar (g)	NI/s	16.3	32.0
Quantity of sucked air	cum/h	182.0	400.0
Working temperature	°C	-20 / +80	-20 / +80
Weight	Kg	9.5	17.0
A		120	270
B		264	200
C		43	150
D	∅	350	500
E		96	108
H		146	158
I	∅	8.5	10.5
P	Compressed air pipe connection	ext. ∅	15

Note: The code SO DO .. X exclusively identifies the OCTOPUS system base box with the associated suction plate PX.

The vacuum generator indicated in the table is not integral part of the OCTOPUS system and therefore, must be ordered separately with its proper code.

All the values shown in the table are valid at a normal atmospheric pressure of 1013 mbar and obtained with a constant supply pressure.