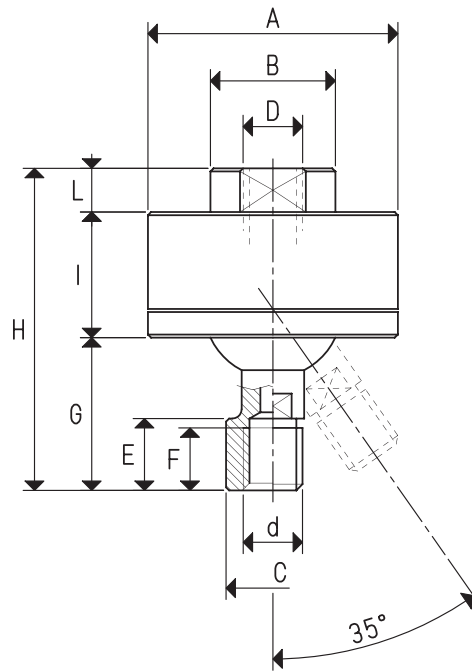


## ARTICULATED JOINTS

These articulated joints made with anodised aluminium allow rotating the cup they are installed on by 360° and tilt them up to 35°, in order to adapt it and lock it correctly into position, guaranteeing, at the same time, air flow through the joint and a perfect seal.

1



ARTICULATED JOINTS

Art.	A ∅	B ∅	C ∅	D ∅	d ∅	E	F	G	H	I	L	Max load allowed Kg	Material	Weight g
<b>GSV 1/8"</b>	40	20	--	G1/8"	G1/8"	11.5	10	24.5	51.5	20	7	18.24	aluminium	77.6
<b>GSV 1/4"</b>	45	25	--	G1/4"	G1/4"	14.5	12	28.5	60.5	25	7	23.54	aluminium	126.7
<b>GSV 3/8"</b>	50	30	--	G3/8"	G3/8"	14.0	12	34.5	69.5	25	10	33.91	aluminium	171.2
<b>GSVF 1/8"</b>	40	20	15	G1/8"	G1/8"	11.5	10	24.5	51.5	20	7	18.24	aluminium	80.4
<b>GSVF 1/4"</b>	45	25	20	G1/4"	G1/4"	14.5	12	28.5	60.5	25	7	23.54	aluminium	129.2
<b>GSVF 3/8"</b>	50	30	21	G3/8"	G3/8"	17.0	12	34.5	69.5	25	10	33.91	aluminium	167.6

3D drawings available at [www.vuototecnica.net](http://www.vuototecnica.net)