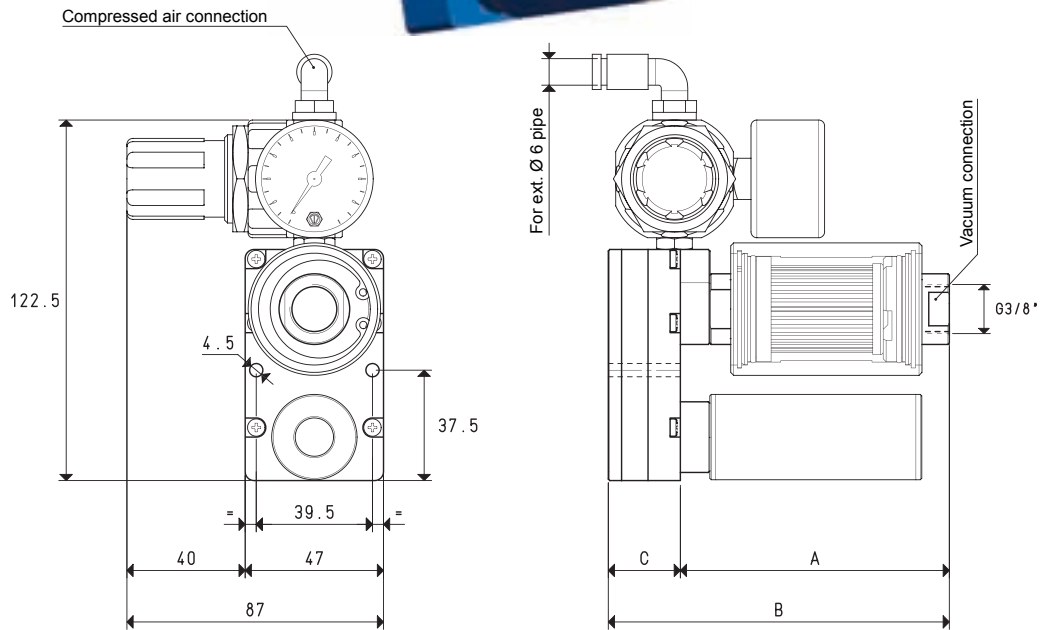


# SMALL PNEUMATIC SUCTION PUMPS PA 10, PA 14 and PA 18



Art.		PA 10				
Supply pressure	bar (g)	1	2	3	4	5
Max. vacuum level	-KPa	20	42	62	80	85
Air consumption	NI/s	0.5	0.9	1.2	1.6	1.9
Quantity of sucked air	cum/h	4.0	6.0	7.7	8.5	9.4
A				94		
B				118.5		
C				24.5		
Weight	Kg			0.59		
Art.		PA 14				
Supply pressure	bar (g)	1	2	3	4	5
Max. vacuum level	-KPa	20	42	62	80	85
Air consumption	NI/s	0.9	1.3	1.7	2.1	2.5
Quantity of sucked air	cum/h	6.0	8.0	10.2	11.5	12.6
A				94		
B				118.5		
C				24.5		
Weight	Kg			0.60		
Working temperature						
Art.		PA 18				
Supply pressure	bar (g)	1	2	3	4	5
Max. vacuum level	-KPa	20	42	62	80	85
Air consumption	NI/s	1.2	1.7	2.3	2.9	3.6
Quantity of sucked air	cum/h	8.0	11.5	14.8	16.5	18.0
A				102		
B				136.5		
C				34.5		
Weight	Kg			0.62		
Working temperature	°C			-20 / +80		

Note: All the values in the table are valid at a normal atmospheric pressure of 1013 mbar and obtained with a constant supply pressure.

3D drawings available at [www.vuototecnica.net](http://www.vuototecnica.net)