

FLAT CIRCULAR FOAM RUBBER CUPS WITH SUPPORT



These foam rubber cups are made with a special compound called GERANIUM, with a density that allows them to grip even uneven and very rough surfaces maintaining their elasticity also after many working cycles. They are provided with self-adhesive side for a quick fixing to their support. This series of cups has been designed for handling loads with raw or very rough surfaces (sawn, bushammered or flamed marble, textured, non-slip or profiled metal sheets, striped plexiglas, raw cement manufactures, garden tiles with fret, etc.) and in all those cases in which traditional cups cannot be used. In case of lubricated gripping surfaces, we recommend using NF neoprene foam rubber. The working temperature range is between -40 °C and +80 °C for OF GERANIUM foam rubber and between -20 °C and +80 °C for NF neoprene.

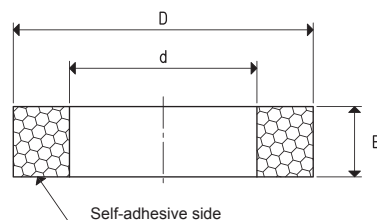
Their supports are made with anodised aluminium and are provided with a threaded hole in the centre for fastening them to the machine. The larger ones, on the other hand, have a side threaded hole for vacuum connection.

For the spare part, all you have to do is request the self-adhesive foam rubber cup indicated in the table, in the required compound.

CUPS

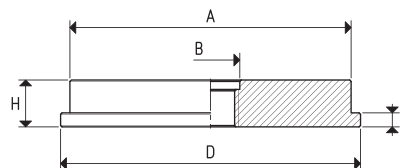
Art.	Force Kg	D Ø	d Ø	E
01 42 15 *	0.78	40	20	15
01 64 15 *	3.5	64	40	15
01 92 15 *	8.5	92	64	15

* Complete the code indicating the compound: OF= geranium foam rubber; NF= neoprene foam rubber



SUPPORTS

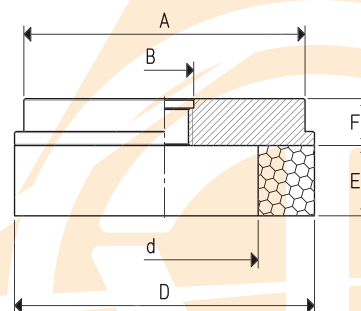
Art.	A Ø	B Ø	D Ø	F	H	Support material	Cup art.	Weight g
00 08 147	40	M12	40	--	10	aluminium	01 42 15	32.8
00 08 32	60	M12	64	3	10	aluminium	01 64 15	80.6
00 08 33	88	M12	92	3	11	aluminium	01 92 15	188.9
00 08 123	88	G3/8"	92	3	11	aluminium	01 92 15	186.1



CUPS WITH SUPPORT

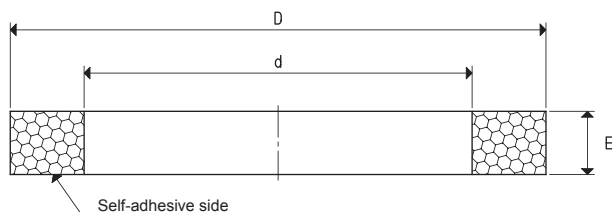
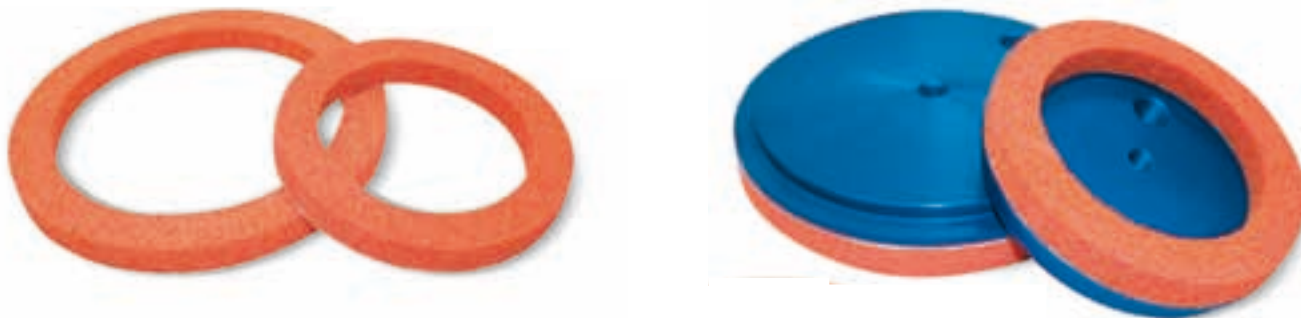
Art.	Force Kg	A Ø	B Ø	D Ø	d Ø	E	F	Cup Art.	Support Art.	Weight g
08 42 15 *	0.78	40	M12	40	20	15	10	01 42 15	00 08 147	35.6
08 64 15 *	3.5	60	M12	64	40	15	10	01 64 15	00 08 32	86.5
08 92 15 *	8.5	88	M12	92	64	15	11	01 92 15	00 08 33	199.1
08 92 15 3/8" *	8.5	88	G3/8"	92	64	15	11	01 92 15	00 08 123	196.3

* Complete the code indicating the compound: OF= geranium foam rubber; NF= neoprene foam rubber



3D drawings available at www.vuototecnica.net

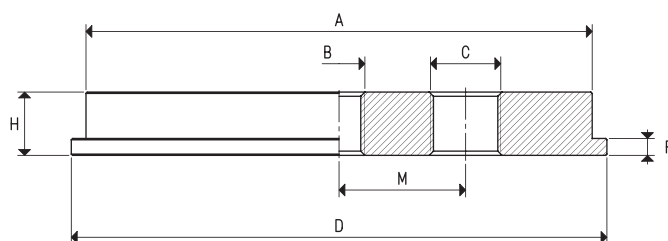
FLAT CIRCULAR FOAM RUBBER CUPS WITH SUPPORT



CUPS

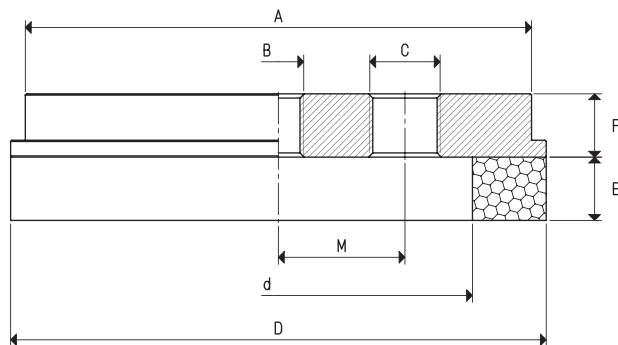
Art.	Force Kg	D ∅	d ∅	E
01 127 15 *	17.5	127	92	15
01 180 15 *	38.5	180	140	15
01 220 15 *	63.6	220	180	15

* Complete the code indicating the compound: OF= geranium foam rubber; NF= neoprene foam rubber



SUPPORTS

Art.	A ∅	B ∅	C ∅	D ∅	F	H	M	Support material	Cup art.	Weight Kg
00 08 107	120	M12	G3/8"	127	4	15	30	aluminium	01 127 15	0.48
00 08 58	160	M12	G3/8"	180	5	12	60	aluminium	01 180 15	0.74



CUPS WITH SUPPORT

Art.	Force Kg	A ∅	B ∅	C ∅	D ∅	d ∅	E	F	M	Cup Art.	Support Art.	Weight Kg
08 127 15 *	17.5	120	M12	G3/8"	127	92	15	15	30	01 127 15	00 08 107	0.49
08 180 15 *	38.5	160	M12	G3/8"	180	140	15	12	60	01 180 15	00 08 58	0.78

* Complete the code indicating the compound: OF= geranium foam rubber; NF= neoprene foam rubber

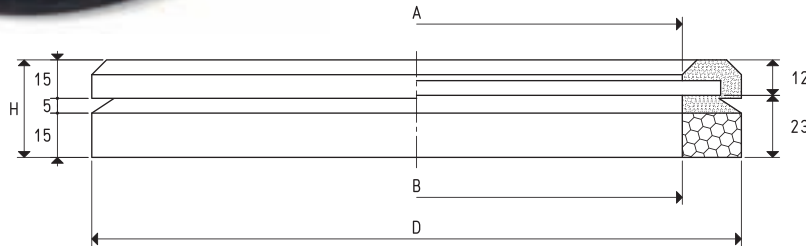
FLAT CIRCULAR FOAM RUBBER CUPS WITH SUPPORT



The distinctive feature of these cups is its lip made with nitrile rubber associated with GERANIUM or neoprene compounds. This allows a perfect grip on very rough or slotted surfaces. For this reason they are particularly suited for gripping and handling cement manufactures with with grit finished surfaces, marbles and bushhammered or flamed granites.

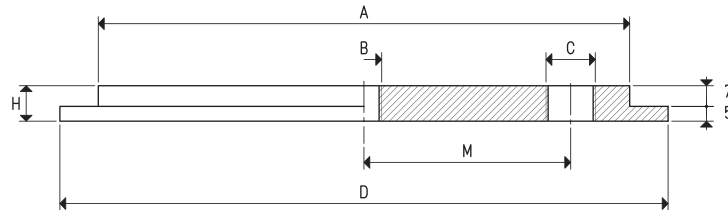
The working temperature ranges between -40 °C and +80 °C for the GERANIUM OF compound and between -20 °C and +80 °C for the neoprene NF compound.

The anodised aluminium support has a central threaded hole for fastening it to the machine and a side one, also threaded, for the vacuum connection. The cup is cold-assembled onto the support with no adhesives. For the spare part, you can simply request the desired cup indicated in the table in the desired compound.



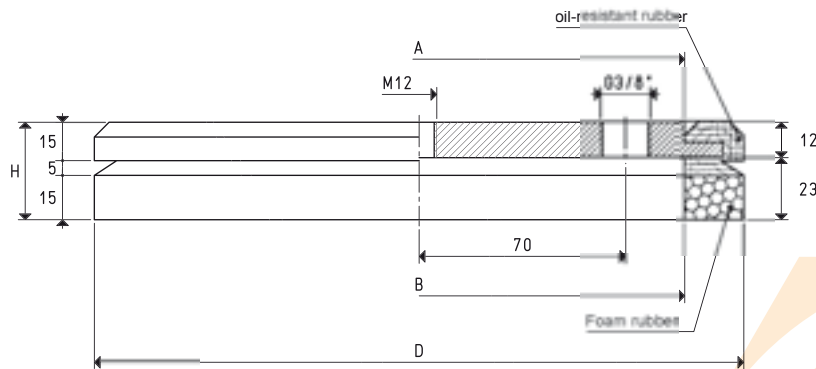
CUPS

Art.	Force Kg	A Ø	B Ø	D Ø	H	Compound
01 220 10 OF	63.6	180	180	220	35	geranium foam rubber
01 220 10 NF	63.6	180	180	220	35	neoprene foam rubber



SUPPORTS

Art.	A Ø	B Ø	C Ø	D Ø	H	M	Support material	Cup art.	Weight Kg
00 08 37	180	M12	G3/8"	206	12	70	aluminium	01 220 10	0.95



CUPS WITH SUPPORT

Art.	Force Kg	A Ø	B Ø	D Ø	H	Support Art.	Cup Art.	Weight Kg
08 220 10 OF	63.6	180	180	220	35	00 08 37	01 220 10 OF	0.98
08 220 10 NF	63.6	180	180	220	35	00 08 37	01 220 10 NF	0.97