

PNEUMATIC BLOWING PUMPS PS

A state of the art range of ejectors has allowed creating this range of pneumatic blowing pumps featuring an excellent ratio between the amount of consumed air and sucked air, as well as the ability to adjust the vacuum level and capacity according to the supply air pressure.

These pumps are supplied by compressed air with a pressure ranging from 1 to 6 bar (g) and can produce a maximum pressure of 0.8 bar (g) and a blowing capacity between 18 and 425 cum/h, measured at a normal atmospheric pressure of 1013 mbar.

When designing these pumps our attention was focused on noise. In fact, they are perfectly soundproofed and there are no moving parts subject to wear and vibrations. All this results in an extremely silent operation.

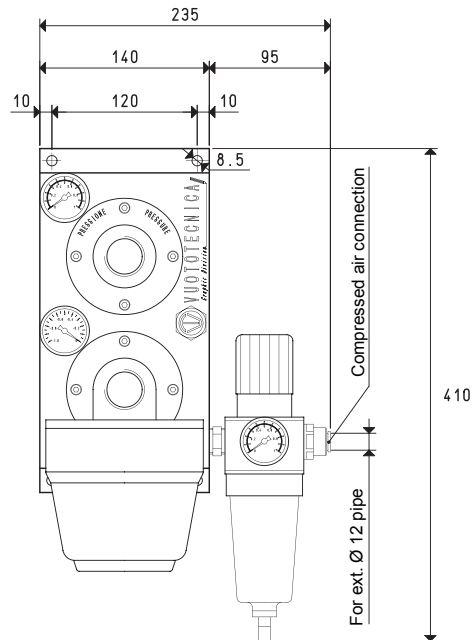
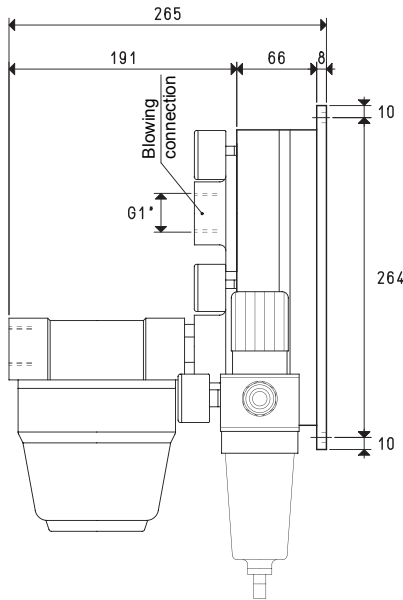
Moreover, being based on the Venturi principle, they do not develop heat.

As a standard, they are equipped with a filtre-pressure reducer unit for the supply air and a filtre with microporous cartridge located on the air inlet connection, which can keep the finest dust and impurities.

The excellent compressed air and sucked filtration allows blowing air free from oil vapours, water condensation and impurities in the work environment, causing no pollution.

The use of light alloys for making these pumps has allowed a considerable reduction of their weight thus allowing them to be directly installed onto the machine.

Thanks to their static operating principle, maintenance is reduced to a simple regular cleaning of the filtres.



Art.		PS 40					
Supply pressure	bar (g)	1	2	3	4	5	6
Max. blowing pressure	bar (g)	0.1	0.2	0.3	0.5	0.7	0.8
Air consumption	NI/s	1.0	1.5	2.0	2.3	2.7	3.2
Quantity of blown air	cum/h	18	28	37	44	48	53
Weight	Kg	6.3					
Art.		PS 70					
Supply pressure	bar (g)	1	2	3	4	5	6
Max. blowing pressure	bar (g)	0.1	0.2	0.3	0.5	0.7	0.8
Air consumption	NI/s	2.0	3.0	4.1	4.9	5.7	6.6
Quantity of blown air	cum/h	36	57	72	83	93	104
Weight	Kg	6.3					
Art.		PS 100					
Supply pressure	bar (g)	1	2	3	4	5	6
Max. blowing pressure	bar (g)	0.1	0.2	0.3	0.5	0.7	0.8
Air consumption	NI/s	3.0	4.6	6.2	7.2	8.5	9.8
Quantity of blown air	cum/h	38	73	97	114	129	144
Weight	Kg	6.3					
Working temperature	°C	-20 / +80					

Note: All the values in the table are valid at a normal atmospheric pressure of 1013 mbar and obtained with a constant supply pressure.

3D drawings available at www.vuototecnica.net