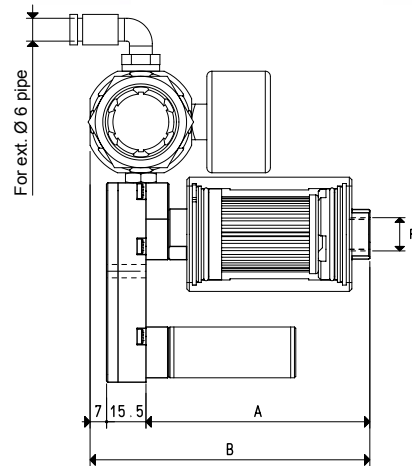
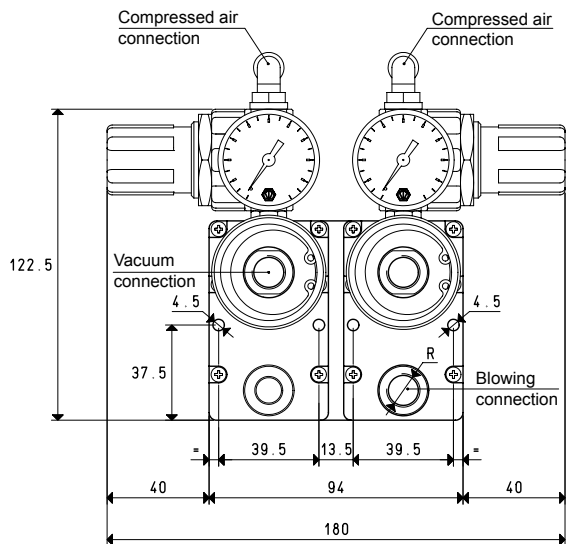
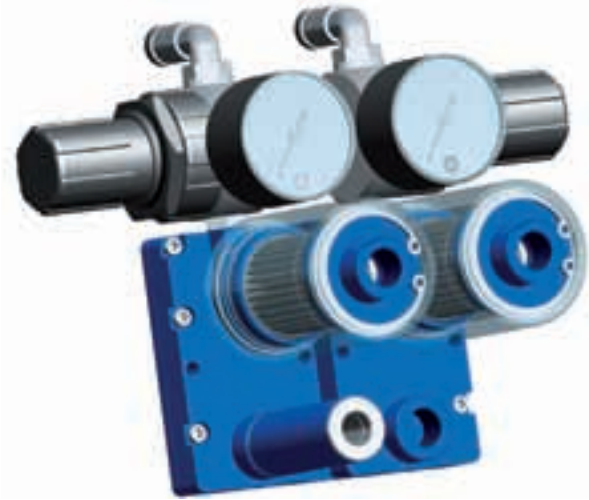


## SMALL PNEUMATIC COMBINED SUCTION AND BLOWING PUMPS PS

All the small pneumatic suction and blowing pumps previously described can be combined regardless of their suction or blowing capacity. Given the enormous number of possible combinations, for space reasons, this catalogue only describes combinations of pumps with the same size.



Art.	PA 3					Art.	PS 3						
Supply pressure	bar (g)	1	2	3	4	5	Supply pressure	bar (g)	1	2	3	4	5
Max. vacuum level	-KPa	20	42	62	80	85	Max. blowing pressure	bar (g)	0.1	0.2	0.3	0.5	0.7
Air consumption	NI/s	0.2	0.4	0.5	0.7	0.8	Air consumption	NI/s	0.2	0.4	0.5	0.7	0.8
Quantity of sucked air	cum/h	2.0	2.5	3.0	3.4	3.6	Quantity of blown air	cum/h	2.7	3.9	4.8	5.9	6.5
A				88			A				88		
B				110.5			B				110.5		
R	Ø			G1/4"			R	Ø			G1/4"		
Weight	Kg			0.45			Weight	Kg			0.44		
Art.	PA 7					Art.	PS 7						
Supply pressure	bar (g)	1	2	3	4	5	Supply pressure	bar (g)	1	2	3	4	5
Max. vacuum level	-KPa	20	42	62	80	85	Max. blowing pressure	bar (g)	0.1	0.2	0.3	0.5	0.7
Air consumption	NI/s	0.4	0.6	0.8	1.2	1.4	Air consumption	NI/s	0.4	0.6	0.8	1.2	1.4
Quantity of sucked air	cum/h	3.0	4.0	5.4	5.8	6.2	Quantity of blown air	cum/h	4.4	6.1	8.2	10.1	11.2
A				88			A				88		
B				110.5			B				110.5		
R	Ø			G3/8"			R	Ø			G3/8"		
Weight	Kg			0.46			Weight	Kg			0.45		
Working temperature	°C	-20 / +80					Working temperature	°C	-20 / +80				

Note: All the values in the table are valid at a normal atmospheric pressure of 1013 mbar and obtained with a constant supply pressure.

Conversion ratio: inch =  $\frac{mm}{25.4}$ ; pounds =  $\frac{g}{453.6}$  =  $\frac{Kg}{0.4536}$

GAS-NPT thread adapters available at page 1.117