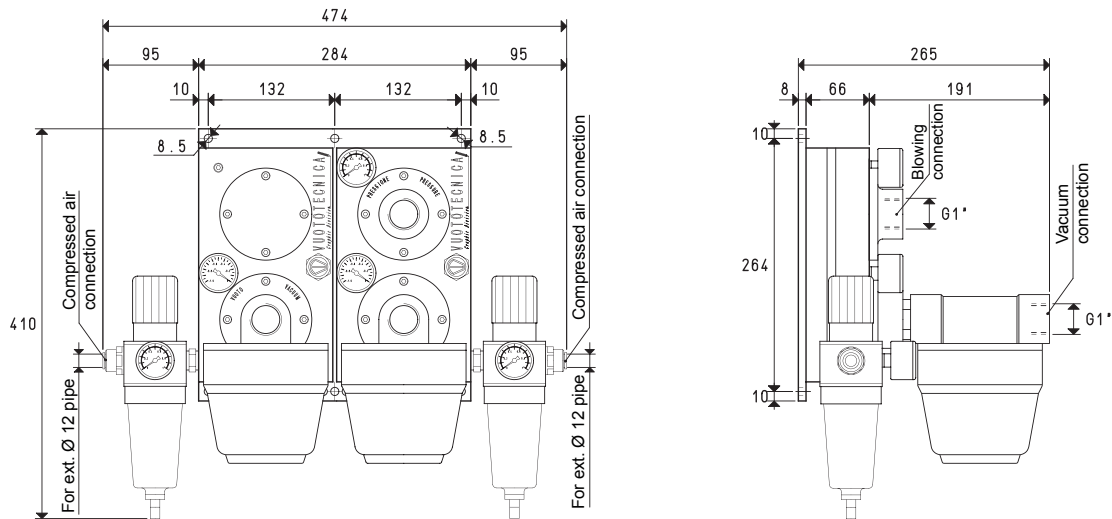


PNEUMATIC COMBINED SUCTION PUMP PA and BLOWING PUMP PS



All the small pneumatic suction and blowing pumps previously described can be combined regardless of their suction or blowing capacity. Given the enormous number of possible combinations, for space reasons, this catalogue only describes combinations of pumps with the same size.



| Art. | PA 40 | | | | | | Art. | PS 40 | | | | | | | |
|------------------------|---------|-----------|-----|-----|-----|-----|------|-----------------------|---------|-----------|-----|-----|-----|-----|-----|
| Supply pressure | bar (g) | 1 | 2 | 3 | 4 | 5 | 6 | Supply pressure | bar (g) | 1 | 2 | 3 | 4 | 5 | 6 |
| Max. vacuum level | -KPa | 14 | 30 | 46 | 65 | 82 | 90 | Max. blowing pressure | bar (g) | 0.1 | 0.2 | 0.3 | 0.5 | 0.7 | 0.8 |
| Air consumption | NI/s | 1.0 | 1.5 | 2.0 | 2.3 | 2.7 | 3.2 | Air consumption | NI/s | 1.0 | 1.5 | 2.0 | 2.3 | 2.7 | 3.2 |
| Quantity of sucked air | cum/h | 15 | 23 | 30 | 36 | 39 | 42 | Quantity of blown air | cum/h | 18 | 28 | 37 | 44 | 48 | 53 |
| Weight | Kg | 6.2 | | | | | | Weight | Kg | 6.3 | | | | | |
| Art. | PA 70 | | | | | | Art. | PS 70 | | | | | | | |
| Supply pressure | bar (g) | 1 | 2 | 3 | 4 | 5 | 6 | Supply pressure | bar (g) | 1 | 2 | 3 | 4 | 5 | 6 |
| Max. vacuum level | -KPa | 14 | 30 | 46 | 65 | 82 | 90 | Max. blowing pressure | bar (g) | 0.1 | 0.2 | 0.3 | 0.5 | 0.7 | 0.8 |
| Air consumption | NI/s | 2.0 | 3.0 | 4.1 | 4.9 | 5.7 | 6.6 | Air consumption | NI/s | 2.0 | 3.0 | 4.1 | 4.9 | 5.7 | 6.6 |
| Quantity of sucked air | cum/h | 29 | 47 | 58 | 65 | 73 | 80 | Quantity of blown air | cum/h | 36 | 57 | 72 | 83 | 93 | 104 |
| Weight | Kg | 6.2 | | | | | | Weight | Kg | 6.3 | | | | | |
| Art. | PA 100 | | | | | | Art. | PS 100 | | | | | | | |
| Supply pressure | bar (g) | 1 | 2 | 3 | 4 | 5 | 6 | Supply pressure | bar (g) | 1 | 2 | 3 | 4 | 5 | 6 |
| Max. vacuum level | -KPa | 11 | 28 | 45 | 65 | 82 | 90 | Max. blowing pressure | bar (g) | 0.1 | 0.2 | 0.3 | 0.5 | 0.7 | 0.8 |
| Air consumption | NI/s | 3.0 | 4.6 | 6.2 | 7.2 | 8.5 | 9.8 | Air consumption | NI/s | 3.0 | 4.6 | 6.2 | 7.2 | 8.5 | 9.8 |
| Quantity of sucked air | cum/h | 28 | 57 | 75 | 88 | 98 | 108 | Quantity of blown air | cum/h | 38 | 73 | 97 | 114 | 129 | 144 |
| Weight | Kg | 6.2 | | | | | | Weight | Kg | 6.3 | | | | | |
| Working temperature | °C | -20 / +80 | | | | | | Working temperature | °C | -20 / +80 | | | | | |

Note: All the values in the table are valid at a normal atmospheric pressure of 1013 mbar and obtained with a constant supply pressure.

Conversion ratio: inch = $\frac{mm}{25.4}$; pounds = $\frac{g}{453.6} = \frac{Kg}{0.4536}$

GAS-NPT thread adapters available at page 1.117