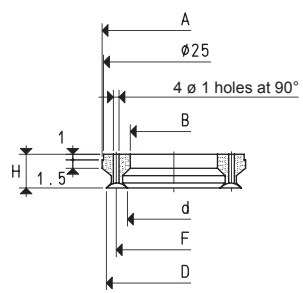


# CIRCULAR RIM CUPS WITH SUPPORT

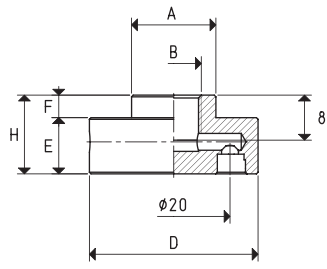


These cups have been designed for lifting objects with a central hole. Their very thin lip allow them to grip very rough surfaces, such as grinding wheels and discs. They are particularly recommended for handling CDs, perforated discs, toothed wheels, pulleys and other similar objects. Their supports are made with anodised aluminium and are provided with a threaded hole in the centre to allow suction, as well as its fastening to the machine. The cups are cold-assembled onto them, with no adhesives. To guarantee maximum flexibility, the cups for gripping grinding discs are made with natural para rubber N, while those for handling CDs are made with silicon S. Cups in special compounds indicated at page 21 can be provided upon request in minimum quantities to be defined in the order. For the spare part, all you have to do is request the cup indicated in the table in the desired compound.



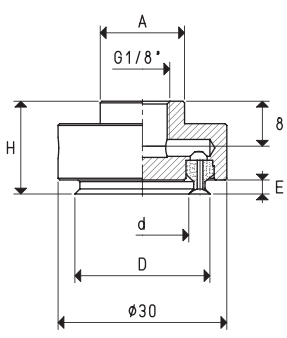
### CUP

Art.	Force Kg	A Ø	B Ø	D Ø	d Ø	F Ø	H
01 24 06 S	0.6	25.5	15.5	24	16.5	20	6



### SUPPORTS

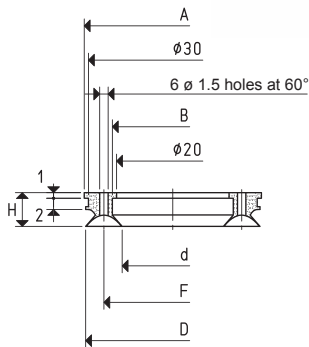
Art.	A Ø	B Ø	D Ø	E	F	H	Support material	Cup art.	Weight g
08 08 232	15	G1/8"	30	10	4	14	aluminium	01 24 06	16.7



### CUP WITH SUPPORT

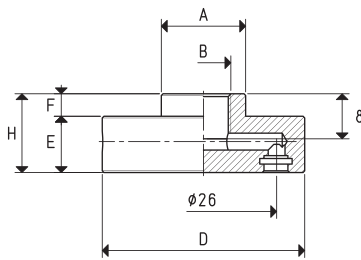
Art.	A Ø	D Ø	d Ø	E	H	Cup Art.	Support Art.	Weight g
08 24 06 S	15	24	16.5	2.5	16.5	01 24 06 S	00 08 232	18.1

# CIRCULAR RIM CUPS WITH SUPPORT



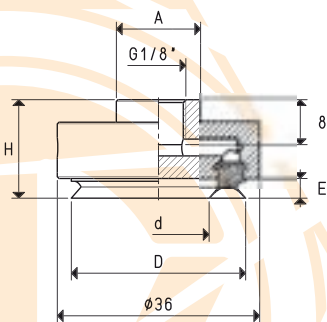
CUPS

Art.	Force Kg	A Ø	B Ø	D Ø	d Ø	F Ø	H
<b>01 31 06 S</b>	1.25	31.5	21.5	31	18	24.5	6



SUPPORTS

Art.	A Ø	B Ø	D Ø	E	F	H	Support material	Cup art.	Weight g
<b>08 08 231</b>	15	G1/8"	36	10	4	14	aluminium	01 31 06	24.9



CUPS WITH SUPPORT

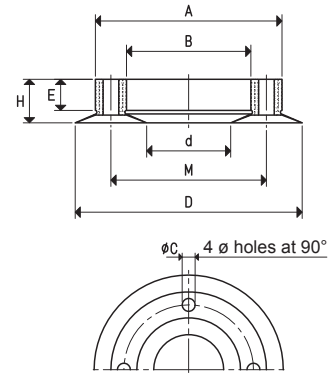
Art.	A Ø	D Ø	d Ø	E	H	Cup Art.	Support Art.	Weight g
<b>08 31 06 S</b>	15	31	18	3.6	17.6	01 31 06 S	00 08 231	26.6

3D drawings available at [www.vuototecnica.net](http://www.vuototecnica.net)



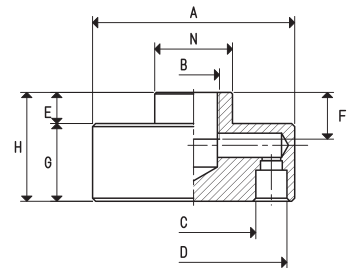
CUPS

Art.	Force Kg	A Ø	B Ø	C Ø	D Ø	d Ø	E	H	M
01 46 13 N	3.87	35	23	3	46	12	8.5	12.5	29
01 73 14 N	9.02	60	40	5	73	27	10.0	14.0	50
01 95 14 N	16.28	71	51	6	95	27	10.0	14.5	61



SUPPORTS

Art.	A Ø	B Ø	C Ø	D Ø	E	F	G	H	N Ø	Support material	Cup art.	Weight g
00 08 68	40	M12	23	35	7	10	18	25	20	aluminium	01 46 13	47.2
00 08 72	65	G3/8"	40	60	10	15	25	35	25	aluminium	01 73 14	169.1
00 08 73	76	G3/8"	51	71	10	15	27	37	25	aluminium	01 95 14	266.0



CUPS WITH SUPPORT

Art.	Force Kg	A Ø	B Ø	D Ø	d Ø	E	F	H	N Ø	Cup Art.	Support Art.	Weight g
08 46 13 N	3.87	40	M12	46	12	4.5	10	29.5	20	01 46 13 N	00 08 68	53.1
08 73 14 N	9.02	65	G3/8"	73	27	4.0	15	39.0	25	01 73 14 N	00 08 72	189.4
08 95 14 N	16.28	76	G3/8"	95	27	5.5	15	42.5	25	01 95 14 N	00 08 73	292.9

