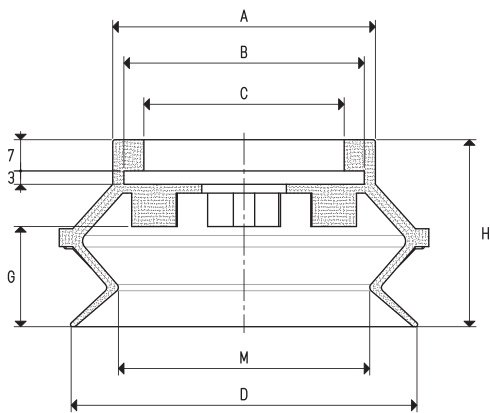


REINFORCED BELLOW CUPS WITH SUPPORT

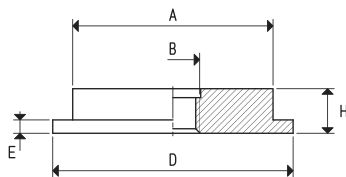
The cups described in these pages share the same features with the previously described BELLOW CUPS, only these have larger dimensions that allow them to lift much heavier loads; moreover, their anodised aluminium supports also have a central threaded hole for their fastening to the machine. The larger ones also have an additional side hole for vacuum connection. The difference is that these supports are provided with a disc instead of with a pin. These cups can be cold-assembled onto their supports with no adhesives.

For the spare part, all you have to do is request the cup indicated in the table in the desired compound.



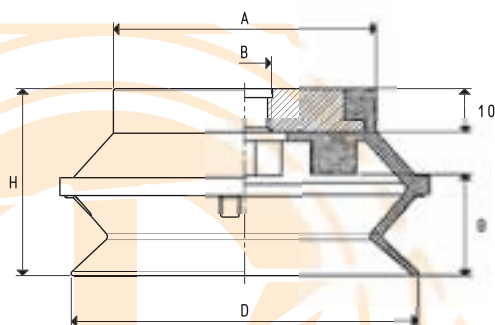
CUP								
Art.	Force Kg	A ∅	B ∅	C ∅	D ∅	G	H	M
01 75 42 *	11.93	59	54	45	78	22.5	42	56

* Complete the code indicating the compound: A= oil-resistant rubber; N= natural para rubber; S= silicon



SUPPORTS								
Art.	A ∅	B ∅	D ∅	E	H	Support material	Cup art.	Weight g
00 08 126	45	M12	54	3	10	aluminium	01 75 42	45.5
00 08 143	45	G1/2"	54	3	10	aluminium	01 75 42	41.5

3D drawings available at www.vuototecnica.net



CUPS WITH SUPPORT									
Art.	Force Kg	A ∅	B ∅	D ∅	G	H	Cup Art.	Support Art.	Weight g
08 75 42 *	11.93	59	M12	78	22.5	42	01 75 42	00 08 126	94.8
08 75 42 1/2" *	11.93	59	G1/2"	78	22.5	42	01 75 42	00 08 143	90.8

* Complete the code indicating the compound: A= oil-resistant rubber; N= natural para rubber; S= silicon

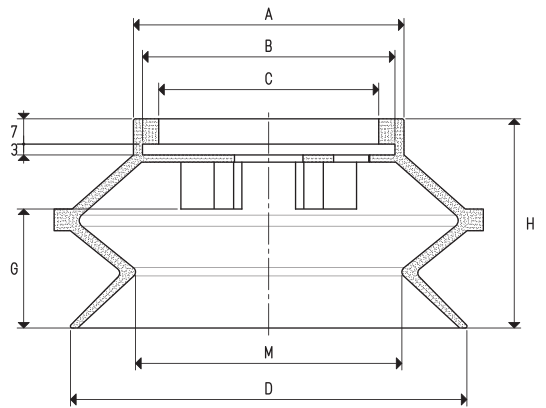
REINFORCED BELLOW CUPS WITH SUPPORT



CUPS

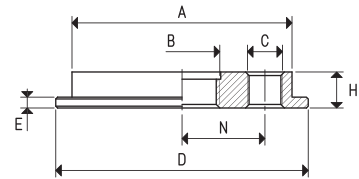
Art.	Force Kg	A Ø	B Ø	C Ø	D Ø	G	H	M Ø
01 110 58 *	23.70	75	70	61	110	33	58	74
01 150 74 *	45.00	112	107	98	150	49	74	103

* Complete the code indicating the compound: A= oil-resistant rubber; N= natural para rubber; S= silicon



SUPPORTS

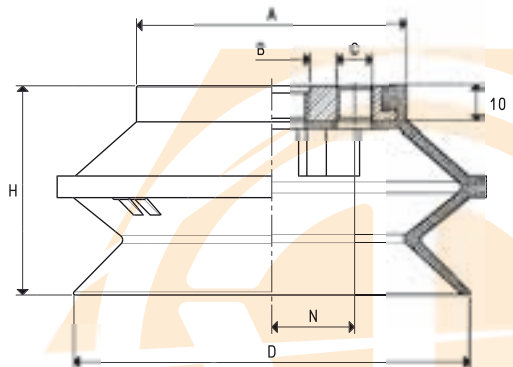
Art.	A Ø	B Ø	C Ø	D Ø	E	N	H	Support material	Cup art.	Weight g
00 08 162	61	G1/2"	G1/8"	70	3	23	10	aluminium	01 110 58	78.9
00 08 163	98	G1/2"	G1/8"	107	3	35	10	aluminium	01 150 74	211.8



CUPS WITH SUPPORT

Art.	Force Kg	A Ø	B Ø	C Ø	D Ø	H	N	Cup. Art.	Support Art.	Weight g
08 110 58 *	23.70	75	G1/2"	G1/8"	110	58	23	01 110 58	00 08 162	190.7
08 150 74 *	45.00	112	G1/2"	G1/8"	150	74	35	01 150 74	00 08 163	458.7

* Complete the code indicating the compound: A= oil-resistant rubber; N= natural para rubber; S= silicon



3D drawings available at www.vuototecnica.net