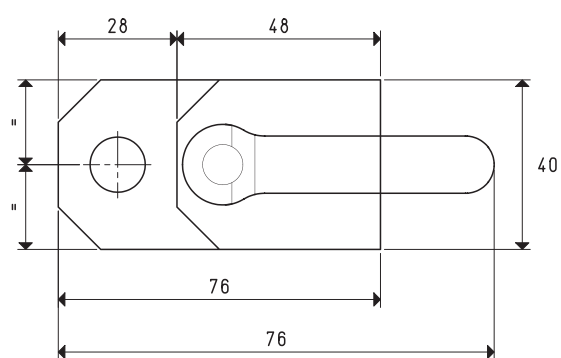
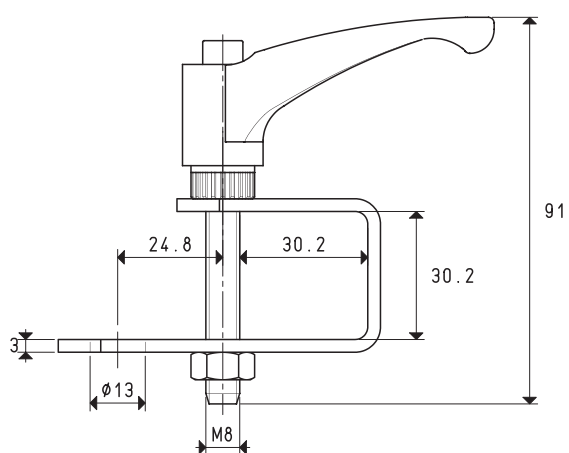


CUP HOLDER FIXING SUPPORTS

The supports described in the following in these pages are made with galvanised sheet steel and they are used to fasten the various types of cup holders to the machine, generally made up of a square tube frame. The screw or the handle with which they are equipped quickly block the support in position.



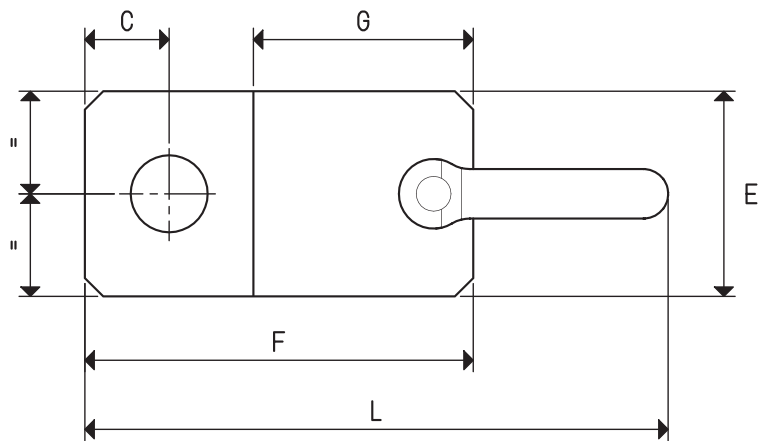
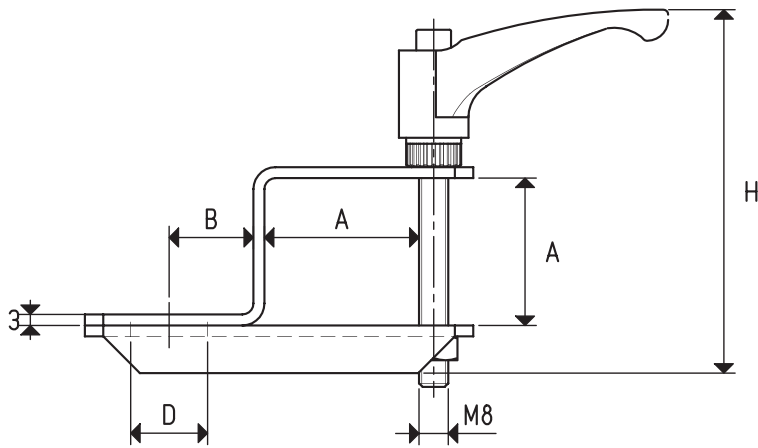
3D drawings available at www.vuototecnica.net

TUBULAR SUPPORT \varnothing 30

Art.	Tubular section	Cup holder	Weight
SFP 01	\varnothing 30	mini	g 160

2.164

Conversion ratio: inch = $\frac{\text{mm}}{25.4}$; pounds = $\frac{\text{g}}{453.6} = \frac{\text{Kg}}{0.4536}$



TUBULAR SUPPORTS \varnothing 40 - 50

Art.	Tubular section \varnothing	A	B	C	D	E	F	G	H	L	Cup holder	Weight g
SFP 02	40	40.2	23	23	21	56	106	60	99	159	basic	350
SFP 03	40	40.2	23	23	25	56	106	60	99	159	special anti-rotation	338
SFP 04	40	40.2	30	30	36	70	120	60	99	173	special	438
SFP 05	50	50.2	23	23	21	56	116	70	109	169	basic	370
SFP 06	50	50.2	23	23	25	56	116	70	109	169	special anti-rotation	377
SFP 07	50	50.2	30	30	36	70	130	70	109	183	special	490

Conversion ratio: inch = $\frac{\text{mm}}{25.4}$; pounds = $\frac{\text{g}}{453.6}$ = $\frac{\text{Kg}}{0.4536}$