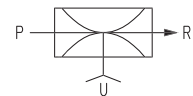
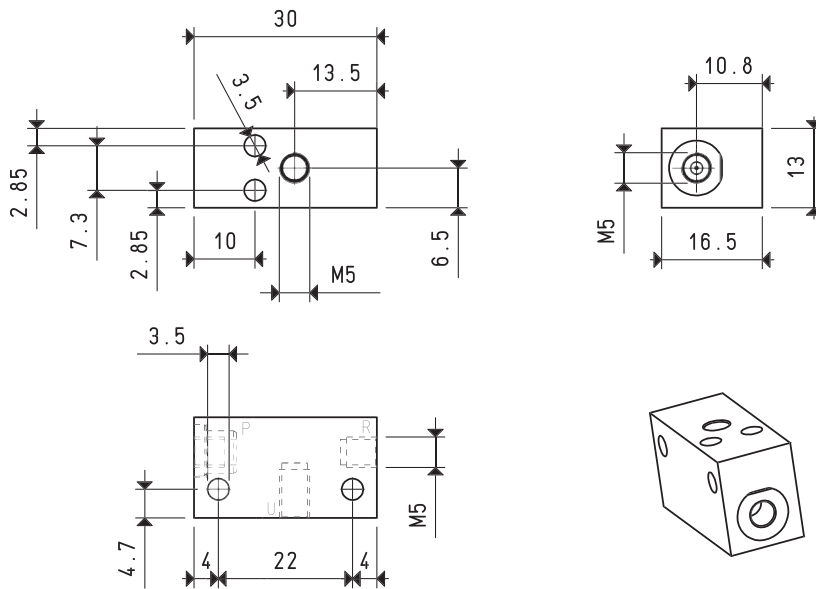


## SINGLE-STAGE VACUUM GENERATORS PVP05, PVP2 and PVP3

With their extremely reduced size and high performance, these single-stage vacuum generators operate exploiting the Venturi principle. Supplying the generator with compressed air in P, vacuum will be generated at connection U, while both the supply and the sucked air will be released through R. By interrupting the air supply in P, the vacuum effect in U will also stop. The vacuum generators described in this page are generally used for interconnecting vacuum cups, for gripping and handling non-porous objects and equipment with low capacity requirements. They are made with anodised aluminium, with aluminium ejectors (PVP05) or brass (PVP2 - PVP3).

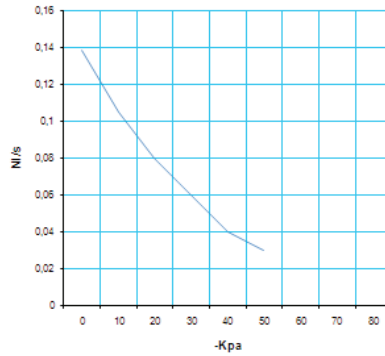


P=COMPRESSED AIR CONNECTION    R=EXHAUST    U=VACUUM CONNECTION

Art.	PVP05						
Quantity of sucked air	cum/h	0.36	0.42	0.42	0.47	0.50	0.50
Max. vacuum level	-KPa	22	33	42	48	61	82
Final pressure	mbar ass.	780	670	580	520	390	180
Supply pressure	bar	1	2	3	4	5	6
Air consumption	NI/s	0.13	0.20	0.27	0.34	0.40	0.50
Working temperature	°C	-20 / +80					
Noise level	dba	70					
Weight	g	14					

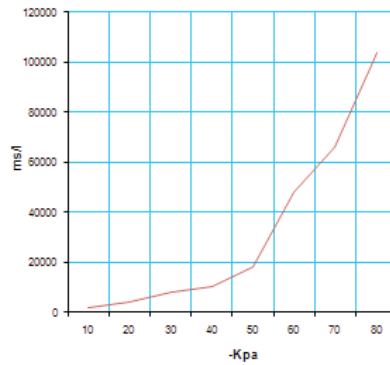
**Note:** All the vacuum data indicated in the table are valid at the normal atmospheric pressure of 1013 mbar and are obtained with a constant supply pressure.

# SINGLE-STAGE VACUUM GENERATORS PVP05, PVP2 and PVP3



AIR CAPACITY (NI/s) AT DIFFERENT VACUUM LEVELS (-KPa)

Generator art.	Supply press. bar	Air consumption NI/s	Air capacity (NI/s) at different vacuum levels (-KPa)										Max. vacuum level -KPa
			0	10	20	30	40	50	60	70	80		
<b>PVP 05</b>	6.0	0.5	0.138	0.105	0.08	0.06	0.04	0.03	---	---	---	82	



EVACUATION TIME (ms/l=s/m<sup>3</sup>) AT DIFFERENT VACUUM LEVELS (-KPa)

Generator art.	Supply press. bar	Air consumption NI/s	Evacuation time (ms/l = s/m <sup>3</sup> ) at different vacuum levels (-KPa)								Max. vacuum level -KPa
			10	20	30	40	50	60	70	80	
<b>PVP 05</b>	6.0	0.5	2000	4000	8000	10000	18000	48000	66000	104000	82