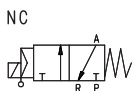
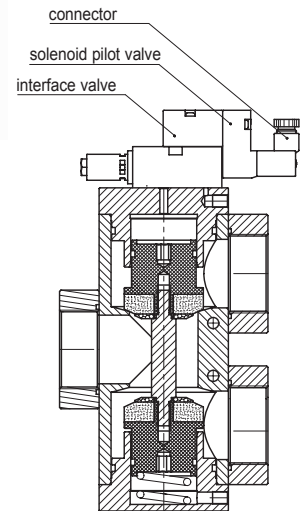
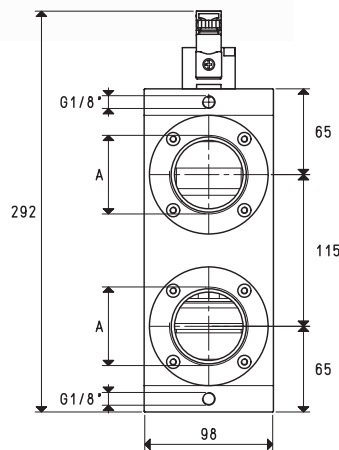
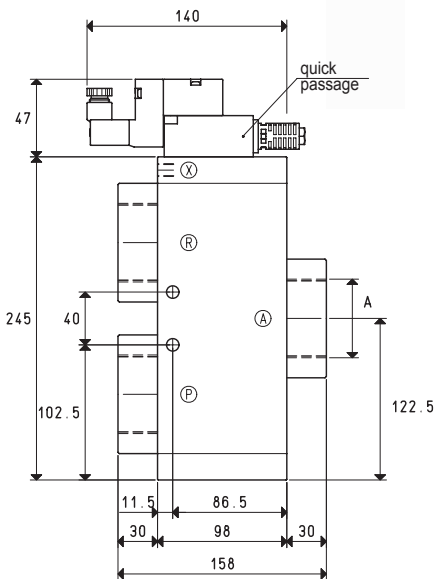
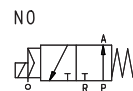


# SERVO-CONTROLLED 3-WAY VACUUM SOLENOID VALVES WITH LOW ABSORPTION ELECTRIC COIL

They are three-way vacuum solenoid valves, pilot-operated for capacities exceeding even 200 mc/h: They are used for vacuum interception on power supply units and suction palletizers, vacuum thermoformers, vacuum packaging units, robots, feeders, bag opening units and in all those cases where rapid exchange between pump suction for vacuums and air supply into the circuit is necessary for quick restoration of atmospheric pressure.



NC  
 X = Compressed air supply  
 P = Pump  
 A = Service  
 R = Passage



NO  
 X = Compressed air supply  
 P = Passage  
 A = Service  
 R = Pump

Art.	A Ø	Max. capacity cum/h	Vacuum level mbar abs.		Reaction time msec		Ø orifice	Passage section mm <sup>2</sup>	Servo-control pressure bar (g)	Weight Kg
			min	max	exc.	deexc.				
07 08 13	G2"	300	1000	0.5	110	70	52	2123	4 ÷ 8	5.87

**Note:** Please specify the electric coil voltage in the order (E.g.: 07 08 13 V24-CC)

The connector is not integral part of the solenoid valve and, therefore, must be ordered separately (See solenoid valve accessories).

Conversion ratio: inch =  $\frac{\text{mm}}{25.4}$ ; pounds =  $\frac{\text{g}}{453.6}$  =  $\frac{\text{Kg}}{0.4536}$

GAS-NPT thread adapters available at page 1.117