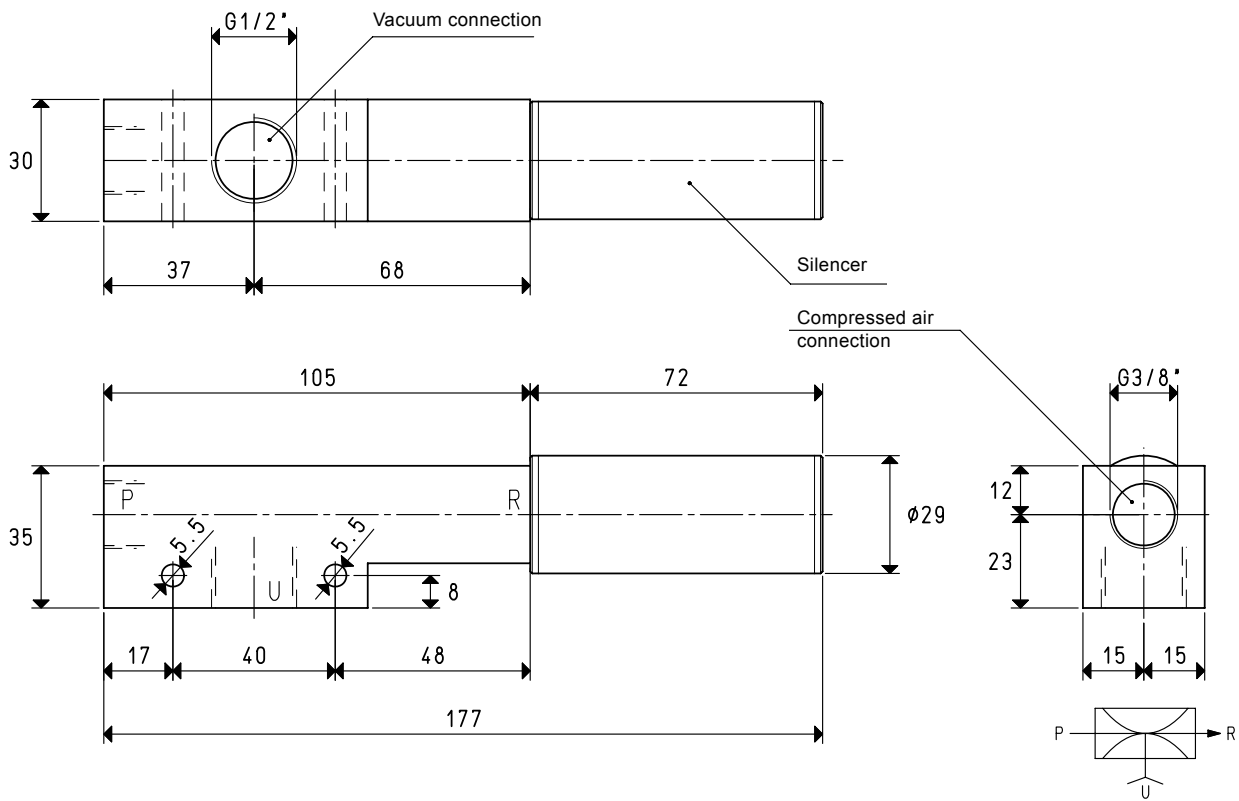


# SINGLE-STAGE VACUUM GENERATORS 15 05 10 SX



P=COMPRESSED AIR CONNECTION R=EXHAUST U=VACUUM CONNECTION

Art.	15 05 10 SX			
Quantity of sucked air	cum/h	12	12.2	12.5
Max. vacuum level	-kPa	40	60	88
Final pressure	mbar ass.	600	400	120
Supply pressure	bar	2	3	3.4
Air consumption	NI/s	3.7	5	5.5
Working temperature	°C			-20 / +80
Noise level	dba			63
Weight	g			306
Spare parts				
Silencer	art.			SSX 3/8"

**Note:** All the vacuum data indicated in the table are valid at the normal atmospheric pressure of 1013 mbar and are obtained with a constant supply pressure.

Conversion ratio: inch =  $\frac{\text{mm}}{25.4}$ ; pounds =  $\frac{\text{g}}{453.6} = \frac{\text{Kg}}{0.4536}$

GAS-NPT thread adapters available at page 1.117