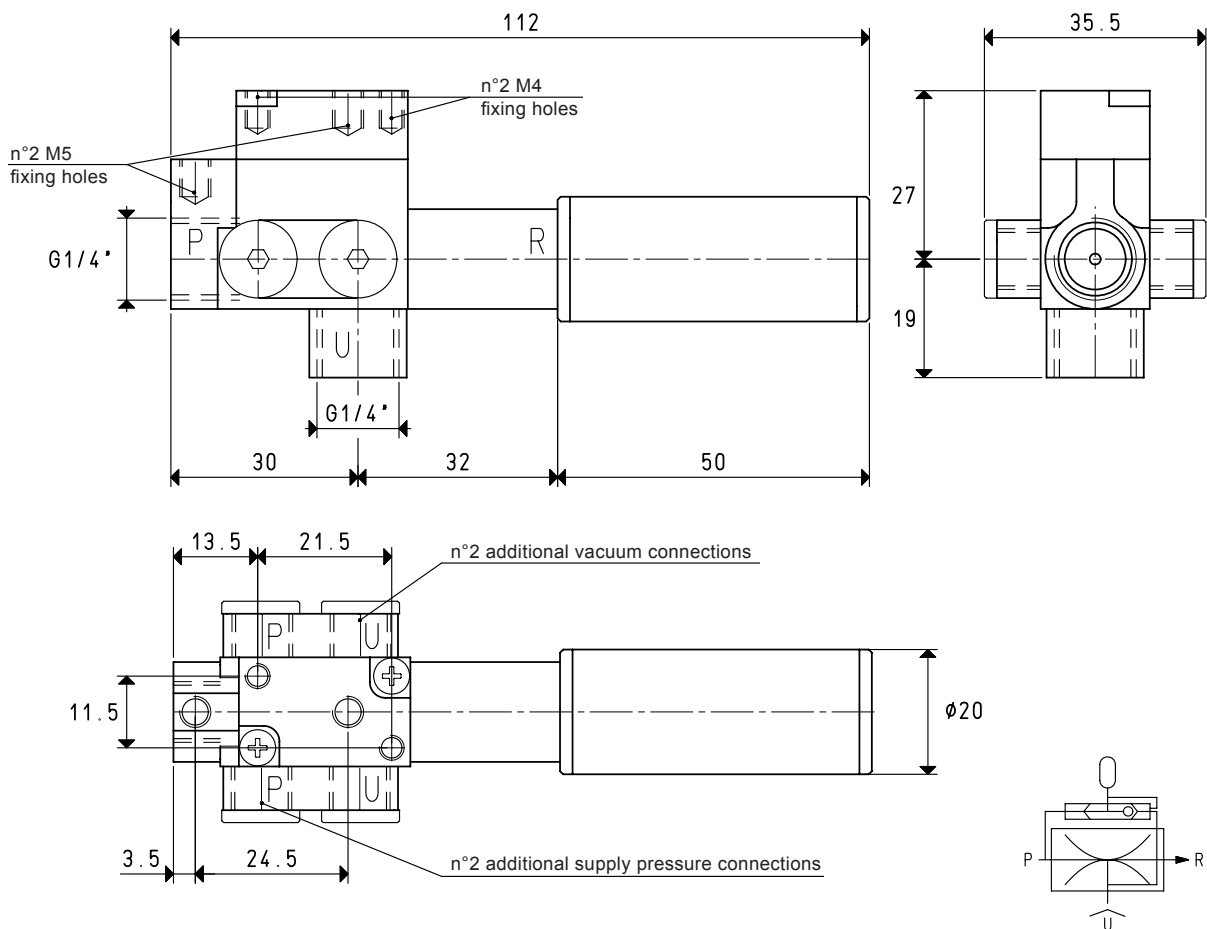


## SINGLE-STAGE VACUUM GENERATOR WITH EJECTORS FVG 3-5



- Single-stage vacuum generator with ejectors FVG 3-5 release applications
- Maximum supply pressure: 4 bar
- Available with the following capacities: 3-5 mc/h
- Maximum vacuum level: -85 KPa
- Excludable ejector
- Totally made of anodised aluminium
- Maximum performance even at low supply pressure
- Low energy consumption
- Ease of installation
- Reduced weight



		P=COMPRESSED AIR CONNECTION	R=EXHAUST	U=VACUUM CONNECTION			
Art.				FVG 3		FVG 5	
Quantity of sucked air	cum/h		2.6	2.7	2.7	4.5	4.9
Max. vacuum level	-KPa		40	64	85	34	53
Final pressure	mbar ass.		600	360	150	660	470
Supply pressure	bar		2	3	4	2	3
Air consumption	NI/s		0.7	0.9	1.2	1.3	1.7
Working temperature	°C				-10 / +80		-10 / +80
Noise level	dBA				68		74
Weight	g				84		86

**Note:** All the vacuum data indicated in the table are valid at the normal atmospheric pressure of 1013 mbar and are obtained with a constant supply pressure.

Conversion ratio: inch =  $\frac{\text{mm}}{25.4}$ ; pounds =  $\frac{\text{g}}{453.6}$  =  $\frac{\text{Kg}}{0.4536}$  GAS-NPT thread adapters available at page 1.117