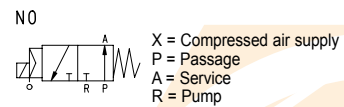
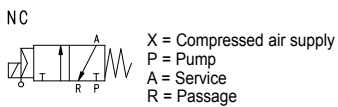
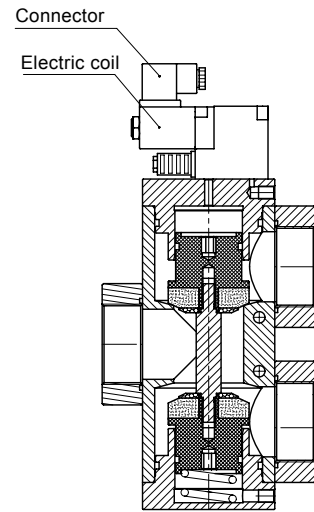
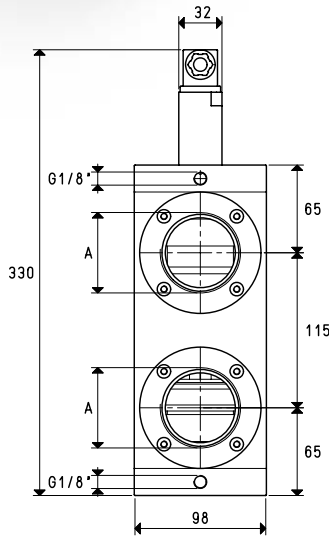
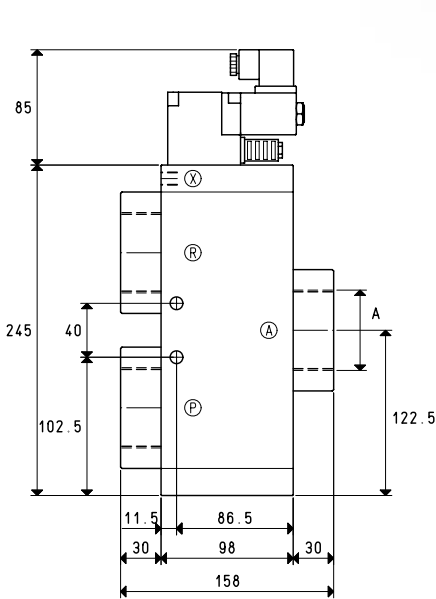


SERVO-CONTROLLED 3-WAY VACUUM SOLENOID VALVES



Art.	A Ø	Max. capacity cum/h	Vacuum level mbar abs.		Reaction time msec		Ø orifice	Passage section mm ²	Servo-control pressure bar (g)	Weight Kg
			min	max	exc.	deexc.				
07 08 11	G2"	300	1000	0.5	60	38	52	2123	6 ÷ 8	5.87

Note: Please specify the electric coil voltage in the order (E.g.: 07 08 13 V24-CC)

The coil and the connector are not integral part of the solenoid valves, therefore, they must be ordered separately (See solenoid valve accessories).

Conversion ratio: inch = $\frac{\text{mm}}{25.4}$; pounds = $\frac{\text{g}}{453.6} = \frac{\text{Kg}}{0.4536}$

GAS-NPT thread adapters available at page 1.117